



SUBMERSIBLE PUMPS

STAINLESS STEEL SERIES



50Hz
CATALOG



CONTENTS

Submersible Pumps

4" STAINLESS STEEL SUBMERSIBLE PUMP	6 - 20
6" MIXED FLOW STAINLESS STEEL SUBMERSIBLE PUMP	21 - 46
8" MIXED FLOW STAINLESS STEEL SUBMERSIBLE PUMP	47 - 55
10" MIXED FLOW STAINLESS STEEL SUBMERSIBLE PUMP	56 - 68

Powering a Greener Tomorrow

At Duke Plasto Technique Pvt. Ltd. we use the latest technology to deliver consistently high quality products. With our innovative pumping solutions we are touching million hearts every day.

Founded by Shri Prabhudas Patel, Shri Shantibhai Patel, Shri Dineshbhai Patel & Shri Rameshbhai Patel in the year 1989, Duke Plasto Technique Pvt. Ltd. has been a pioneer in providing quality pumping solutions to valued patrons spread worldwide. Since the last two decades, we have earned an outstanding reputation for providing unique solutions to cater to the diverse needs of the industry. Our success is the result of our

understanding of our customers, our technical expertise, our continuous innovation and our ability to infuse creative ideas and newer ways in delivering superior products. Not surprisingly, our customers have complete trust in us and have rated us the highest in customer satisfaction. Recognizing our commitment for quality, the Government of India has awarded us the National Quality Award in 2007.

Today, brand Duke has carved a niche for itself as a reliable water solutions provider. We are proud to gain the trust of our valued patrons.

Tradition of Excellence for Quality Products

Duke Plasto Technique Pvt. Ltd. offers a wide range of high quality products, combined with exceptional services to customers searching for consistent quality and dependable services. Duke offers an extensive range of high quality uPVC

Casing Pipes, Column Pipes, Pressure Pipes, Elastomeric Sealing Ring Pipes, SWR Pipes and all types of PVC fittings and Energy Efficient Submersible Pumps & Motors, Monoblock Pumps, Centrifugal and Pressure Booster Pumps.

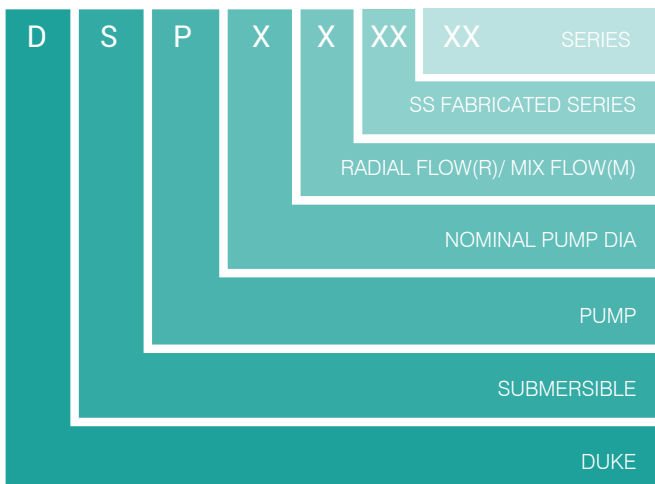
Manufacturing setup with the Best Infrastructure

Harnessing the power of knowledge, expertise and an excellent infrastructure setup has kept us at the pinnacle of success. We, at Duke Plasto Technique Pvt. Ltd proudly boast of a manufacturing capability comparable to any world class facility around the globe. Latest, state-of-the-art, fully automated machinery has been procured from the no. 1 manufacturer of the world. We have successfully implemented state-of-the-art systems from Japan like KANBAN, KAIZEN, SQC, SPC & 5S, etc. The whole operation including the control panel and CNC machines are monitored through a

fully computerized setup. The manufacturing set is also equipped with all the safety measures as laid down by the Factory Act. Our commitment to deliver nothing but the best doesn't stop just here, from time to time, we continuously upgrade our world-class facilities to keep ourselves at the forefront.

Besides this, to provide a comfortable workplace for our employees, we have a Conference Hall, Rest Rooms, Library & Canteen facilities at our factory.

MODEL IDENTIFICATION CODE



NOMINAL MOTOR DIA : 4",6",8",10",12"

SERIES: (02/03/05/08/14/09/17/30/46/60/77/95/125/160/215)

GENERAL INFORMATION

Duke's **Stainless Steel Fabricated Submersible Pumps** are fully Stainless Steel, Borehole/ Deep Well pumps suitable for clear water, high head applications. These Pumps are of Multistage Centrifugal types, accommodating Radial or Mixed flow impellers according to the required Head & Flow. The mounting dimensions are according to **NEMA** Standard, which enables the pumps to be coupled with any NEMA standard submersible motors. Other international standards / key way types can also be supplied against requirements. The precise design, materials combination, manufacturing process and stringent quality assurance procedures ensure high quality performance and durability of the pumps. These pumps are available in 4", 6", 8" & 10" nominal diameter as standard sizes and available in SS 304 & SS 316 constructions.

Liquid Characteristics

Max. Liquid Temperature	33 °C
Max. Water Hardness	300 ppm
Max. Permissible amount of sand	50 g/m ³
Max. Allowable Solids	3000 ppm
pH Range	6.5 - 8.5
Max. Specific Gravity	1.004
General Characteristics	Non-Aggressive, Non-Explosive

Technical Specification

Nominal Diameter	4" (100 mm)	6" (150mm)	8" (200mm)	10" (250mm)
Power Range	0.37 - 5.5 kW	0.55 - 63 kW	5.5 - 75 kW	7.5 - 185 kW
	0.5 - 7.5 HP	0.75 - 85 HP	7.5 - 100 HP	10 - 250 HP
Nominal Speed	2900 rpm	2900 rpm	2900 rpm	2900 rpm
Flow Range	1 - 18.0 m ³ /h	6 - 72.0 m ³ /h	48 - 120.0 m ³ /h	48 - 276 m ³ /h
Shut-off Head	510 m	650 m	400 m	485 m
Outlet sizes	1.5", 2"	2", 2.5", 3", 4"	5"	6"
Shaft Coupling	Splines	Splines	Splines	Splines/Keyway
Mounting Standard	NEMA	NEMA	NEMA	NEMA/INT'L STD
Max. Operating Pressure	50 bar	65 bar	40 bar	48 bar
Outlet Thread Standard	BSP	BSP	BSP	BSP

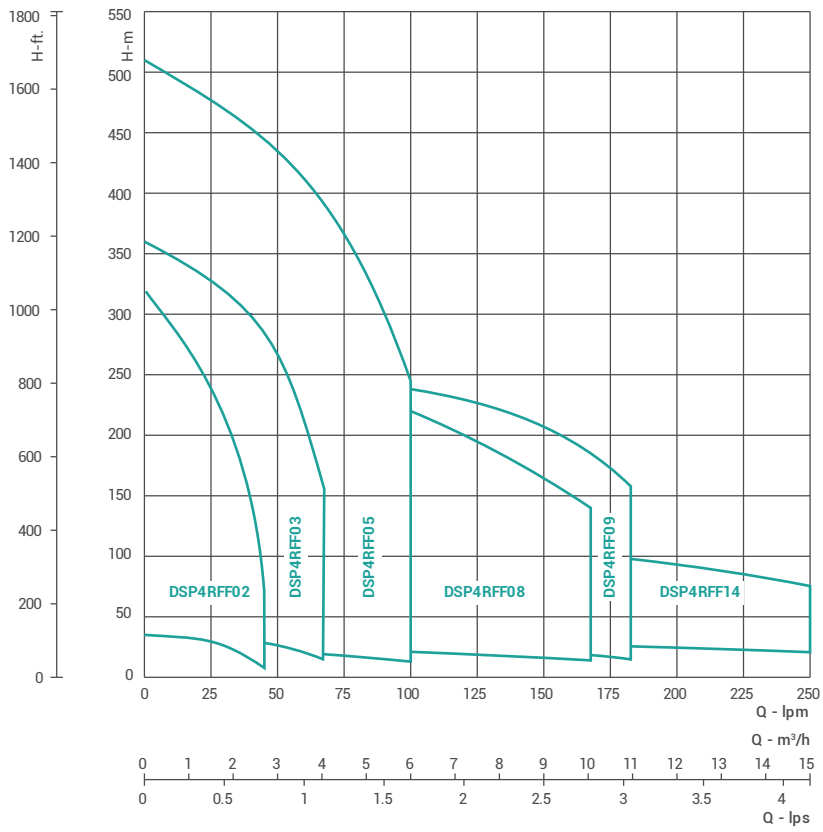
Position of operations	Vertical/ Horizontal (at 30° Inclination)
------------------------	---

Features

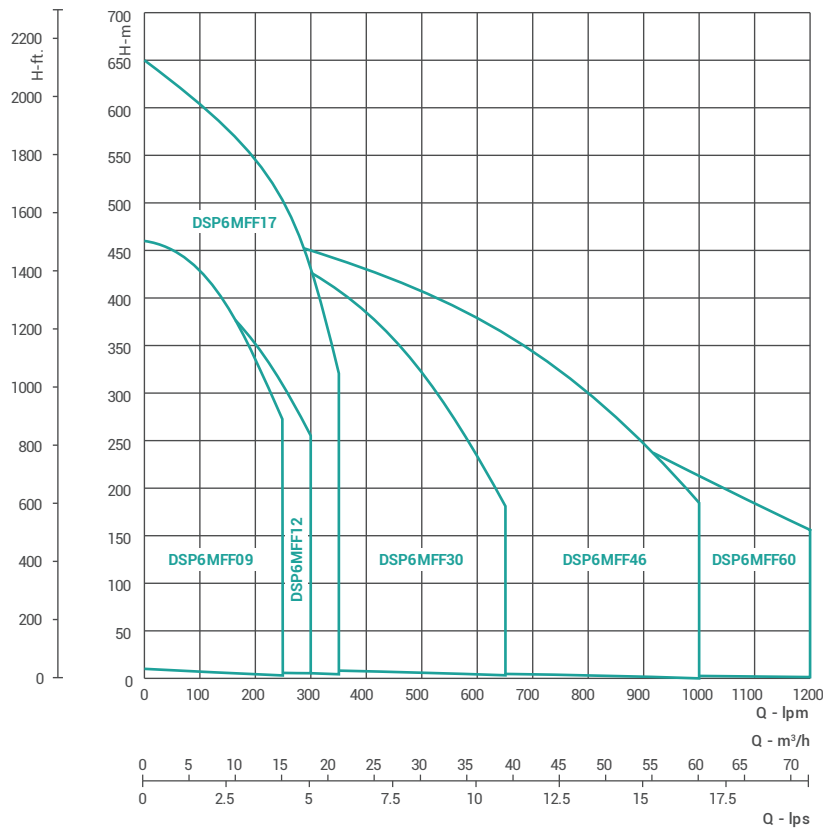
- | Optimal Design
- | Easy to handle & Repair
- | Hygiene
- | Precisely made parts
- | NEMA mounting standard
- | Durable
- | High Operating efficiency
- | Good resistance to salt

GENERAL INFORMATION

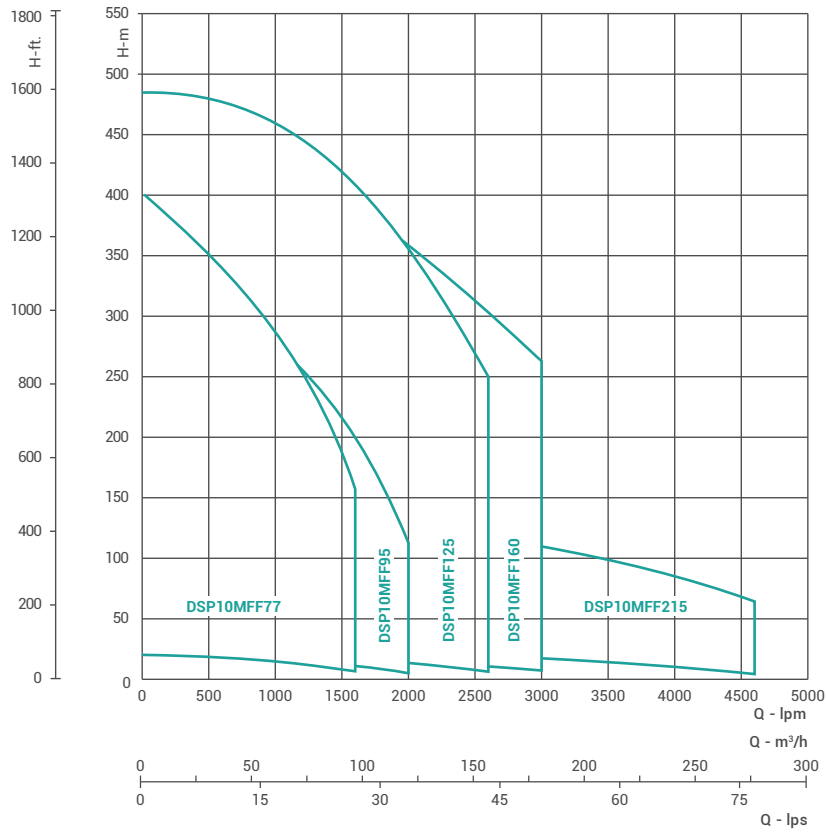
4" Group Curves



6" Group Curves



8" & 10" Group Curves



Curve Conditions

The given performances are for the clear water of specific gravity 1 | The given the performances are for the ideal conditions the actual performance may vary according the field parameters | The performances are applicable for the nominal speed of 2900rpm | In-built non-return valve losses included in the performance. Actual friction & fitting losses to be considered while calculating the system head. The curve tolerance according to ISO 9906, Grade-3B | The Group performance curves are just an indicative and to locate the tentative family curve | Refer the individual curves for prompt selection of models. Hydraulic Performances of the pumps are same for all types Materials of constructions of stainless steel fabricated pump series

APPLICATIONS



RESIDENTIAL



IRRIGATION



GENERAL
WATER SUPPLY



INDUSTRIAL



DOMESTIC
WATER SUPPLY



SPRINGER
SYSTEM



LIVESTOCK
WATERING



SOLAR



HYDRO PNEUMATIC
SYSTEMS



HIGH PRESSURE
APPLICATION



HOTEL



FOOD PROCESSING
INDUSTRY



OIL & GAS



MINING



GARDENING

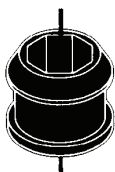


FOUNTAIN

SUBMERSIBLE PUMPS

1 Bearings with sand channels

All bearings are water-lubricated and have a squared shape enabling sand particles, if any, to leave the pump together with the pumped liquid.



2 Inlet strainer

The inlet strainer prevents particles over a certain size from entering the pump.

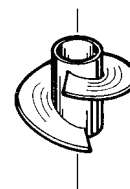


3 Priming screw

All Duke 4" pumps are fitted with a priming screw. Consequently, dry running is prevented, because the priming screw will make sure that pump bearings are always lubricated.

Due to the semi-axial impellers of large pumps this priming is provided automatically.

However, it applies to all pump types that if the water table is lowered to a level below the pump inlet neither pump nor motor will be protected against dry running.

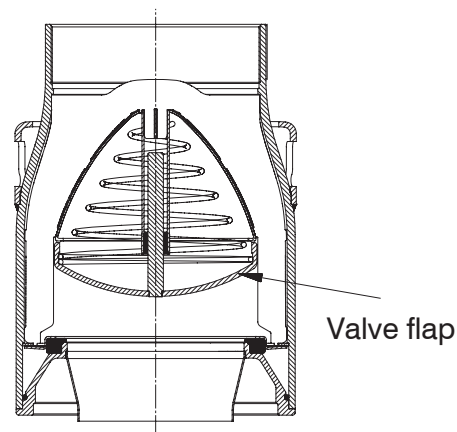


4 Non-return valve

All pumps are equipped with a reliable non-return valve in the valve casing preventing back flow in connection with pump stoppage.

Furthermore, the short closing time of the non-return valve means that the risk of destructive water hammer is reduced to a minimum.

The valve casing is designed for optimum hydraulic properties to minimize the pressure loss across the valve and thus to contribute to the high efficiency of the pump.



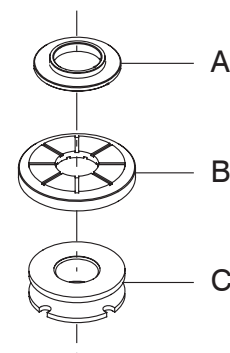
5 Stop ring

The stop ring prevents damage to the pump during transport and in case of up-thrust in connection with start-up.

The stop ring, which is designed as a thrust bearing, limits axial movements of the pump shaft.

The stationary part of the stop ring (A) is secured in the upper chamber.

The rotating part (B) is fitted above the split cone (C).

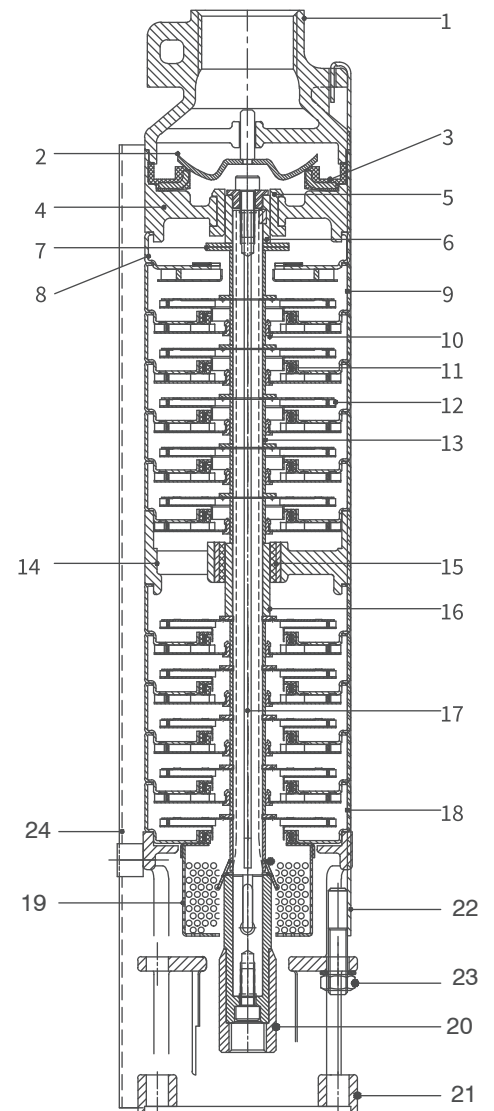


4"

DSP4RFF02 SERIES PUMP DESIGN

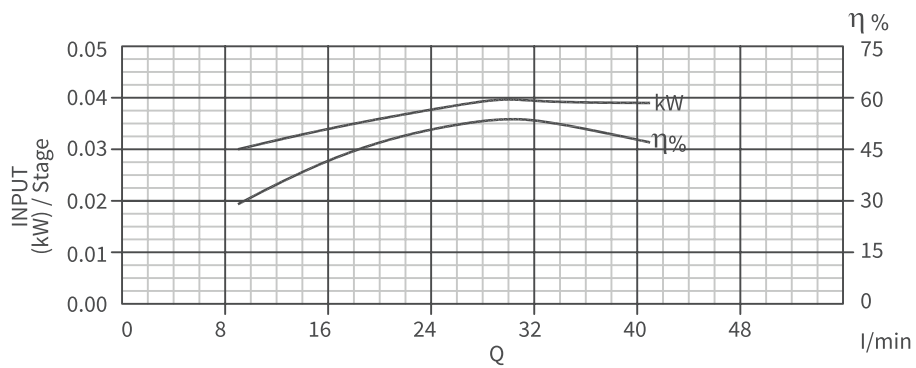
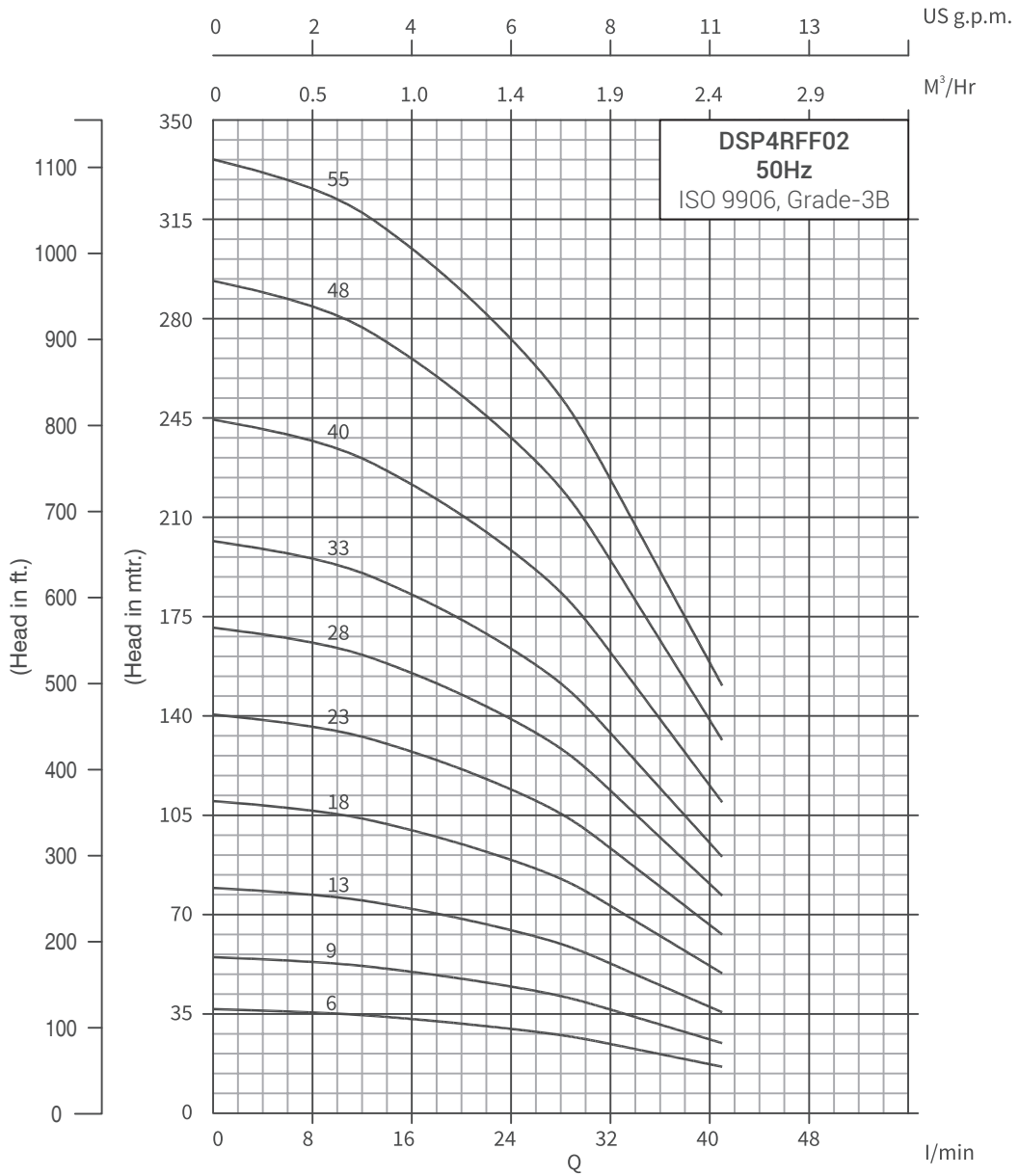
Material specification

No.	PART NAME	MATERIAL
1	N.R.V. 1.25"	SS AISI 304
2	VALVE	SS AISI 304
3	VALVE SEAT	N.B.R.
4	TOP BEARING HOUSING	SS AISI 304
5	TOP BEARING HOUSING BUSH	N.B.R.
6	TOP BEARING HOUSING SLEEVE	SS AISI 304
7	THRUST WASHER	SS AISI 304
8	TOP DIFFUSER	SS AISI 304
9	DIFFUSER	SS AISI 304
10	BEARING BUSH	N.B.R.
11	NECKRING	N.B.R. + P.P.S.
12	IMPELLER	SS AISI 304
13	STAGE SLEEVE	SS AISI 304
14	MIDDLE BEARING HOUSING	SS AISI 304
15	MIDDLE BEARING HOUSING BUSH	N.B.R. + S.S.304
16	MIDDLE BEARING HOUSING SLEEVE	SS AISI 304
17	PUMP SHAFT	SS AISI 431
18	FIRST STAGE DIFFUSER	SS AISI 304
19	STRAINER	SS AISI 304
20	NEMA COUPLING	SS AISI 304
21	SUCTION INTERCONNECTOR	SS AISI 304
22	CLAMPING STRIP	SS AISI 304
23	HEX NUT	A2-70 (316)
24	CABLE GUARD	SS AISI 304



DSP4RFF02, 50Hz

ISO 9906, Grade-3B

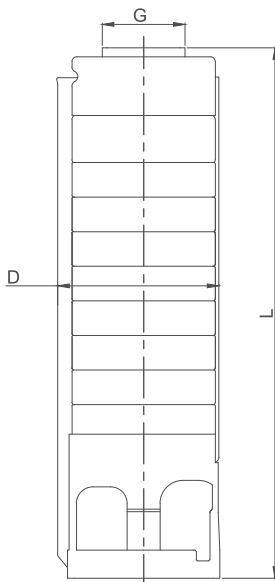


DSP4RFF02, 50Hz

ISO 9906, Grade-3B

kW	HP	Stage	Motor Joinings	Outlet Size	Discharge						
					m³/h	0	1	1.4	2	2.4	2.7
					lpm	0	17	23	33	40	45
0.37	0.5	6	V-4	1½"	Head in Mtrs.	35	31	29	23	14	8
0.37	0.5	9	V-4	1½"		52	46	43	35	22	12
0.55	0.75	13	V-4	1½"		75	67	62	51	31	17
0.75	1	18	V-4	1½"		104	93	86	70	43	23
1.1	1.5	23	V-4	1½"		133	118	109	90	55	30
1.5	2	28	V-4	1½"		162	144	133	109	67	36
1.5	2	33	V-4	1½"		191	170	157	129	79	43
2.2	3	40	V-4	1½"		232	206	190	156	96	52
2.2	3	48	V-4	1½"		278	247	228	187	115	62
3	4	55	V-4	1½"		319	283	261	214	131	71

Dimensions & Weights



Model Name	Specification			
	D (mm)	L (mm)	Pump Weight Kg.	Weight (incl. pkg.) Kg.
DSP4RFF02 -06	98	280	3.2	3.8
DSP4RFF02 -09	98	343	4.2	5.1
DSP4RFF02 -13	98	427	5.4	6.7
DSP4RFF02 -18	98	532	7.2	9.0
DSP4RFF02 -23	98	668	8.9	11.2
DSP4RFF02 -28	98	773	10.6	13.4
DSP4RFF02 -33	98	878	12.2	15.5
DSP4RFF02 -40	98	1097	13.0	17.0
DSP4RFF02 -48	98	1296	14.6	19.44
DSP4RFF02 -55	98	1443	16.2	21.7

G: Available Outlet Size 1.25" BSP

D: With Cable Guard

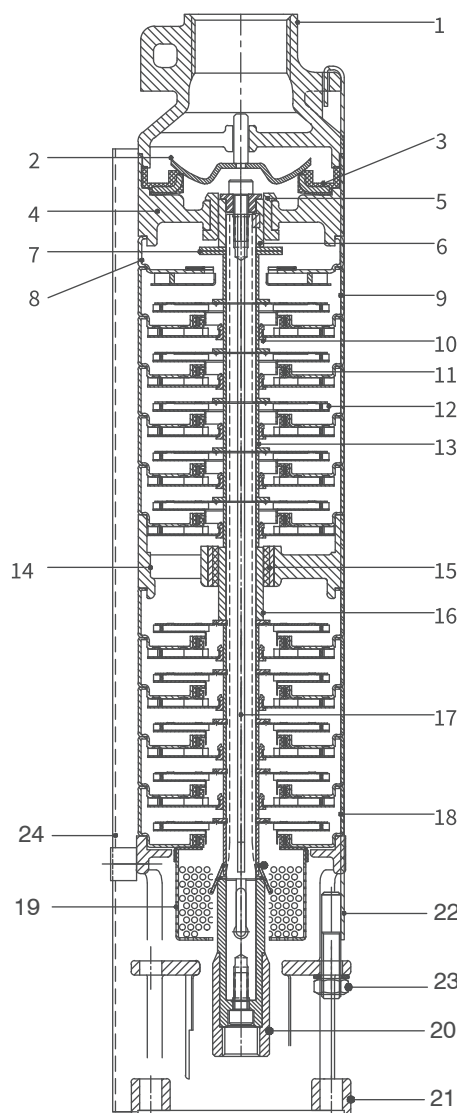
DP2 3-75 and DP4 4-90 pump available in 4" Joining mounted sleeve.

4"

DSP4RFF03 SERIES PUMP DESIGN

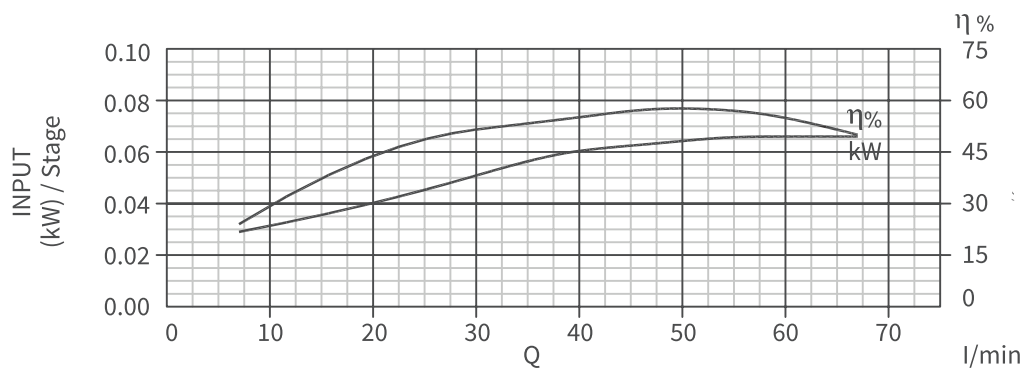
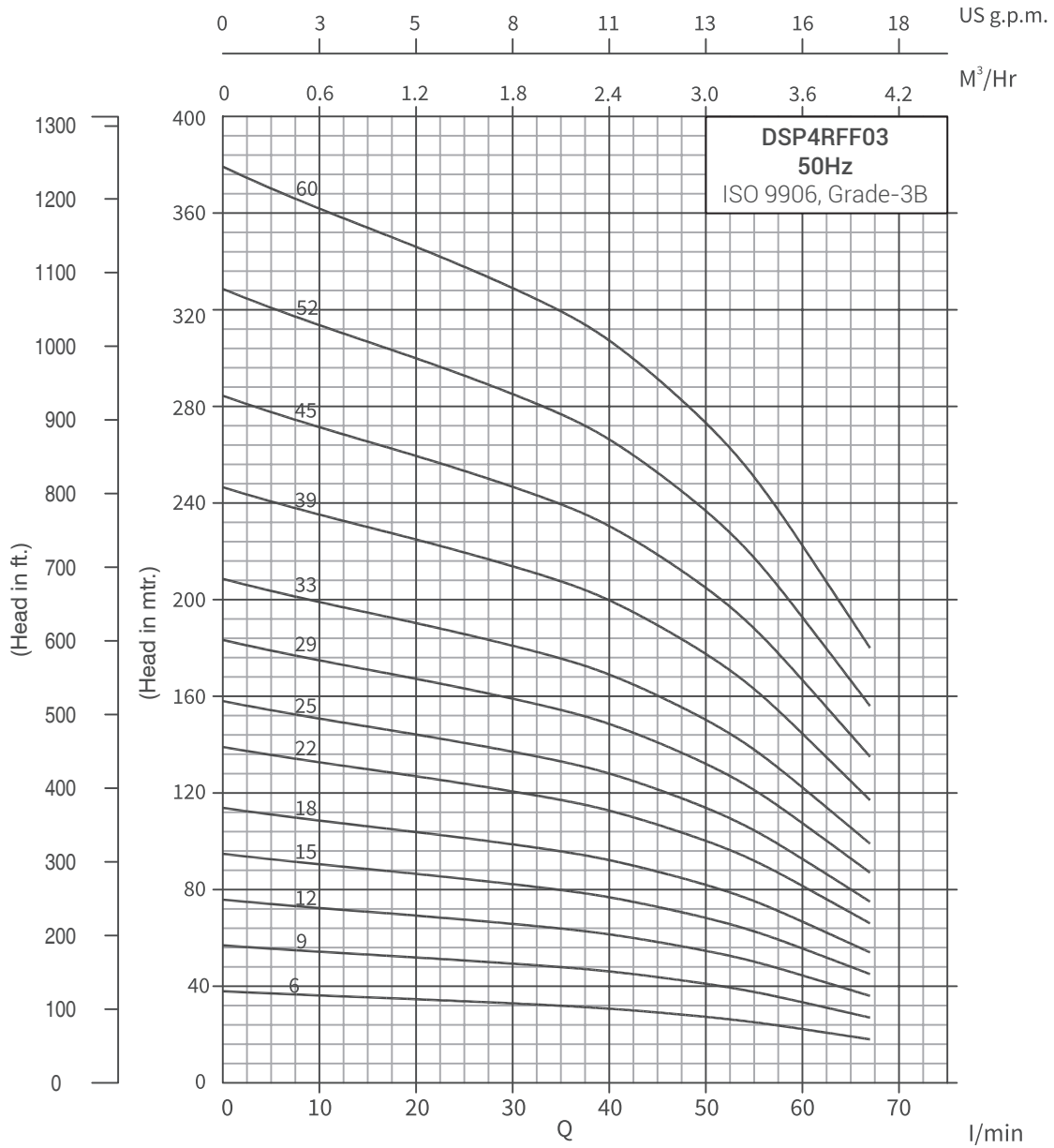
Material specification

No.	PART NAME	MATERIAL
1	N.R.V. 1.25"	SS AISI 304
2	VALVE	SS AISI 304
3	VALVE SEAT	N.B.R.
4	TOP BEARING HOUSING	SS AISI 304
5	TOP BEARING HOUSING BUSH	N.B.R.
6	TOP BEARING HOUSING SLEEVE	SS AISI 304
7	THRUST WASHER	SS AISI 304
8	TOP DIFFUSER	SS AISI 304
9	DIFFUSER	SS AISI 304
10	BEARING BUSH	N.B.R.
11	NECKRING	N.B.R. + P.P.S.
12	IMPELLER	SS AISI 304
13	STAGE SLEEVE	SS AISI 304
14	MIDDLE BEARING HOUSING	SS AISI 304
15	MIDDLE BEARING HOUSING BUSH	N.B.R. + S.S.304
16	MIDDLE BEARING HOUSING SLEEVE	SS AISI 304
17	PUMP SHAFT	SS AISI 431
18	FIRST STAGE DIFFUSER	SS AISI 304
19	STRAINER	SS AISI 304
20	NEMA COUPLING	SS AISI 304
21	SUCTION INTERCONNECTOR	SS AISI 304
22	CLAMPING STRIP	SS AISI 304
23	HEX NUT	A2-70 (316)
24	CABLE GUARD	SS AISI 304



DSP4RFF03, 50Hz

ISO 9906, Grade-3B

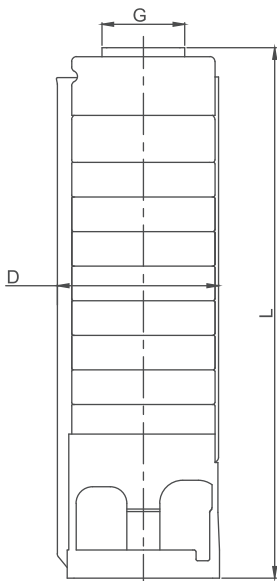


DSP4RFF03, 50Hz

ISO 9906, Grade-3B

kW	HP	Stage	Motor Joinings	Outlet Size	Head in Mtrs.	Discharge						
						m ³ /h	0	1.8	2.4	3	3.6	4
						lpm	0	30	40	50	60	67
0.37	0.5	6	V-4	1½"	36	32	30	26	20	16		
0.55	0.75	9	V-4	1½"	54	49	45	39	31	23		
0.75	1	12	V-4	1½"	72	65	60	52	41	31		
1.1	1.5	15	V-4	1½"	90	81	75	65	51	39		
1.1	1.5	18	V-4	1½"	108	97	90	78	61	47		
1.5	2	22	V-4	1½"	132	119	110	96	75	57		
1.5	2	25	V-4	1½"	150	135	125	109	85	65		
2.2	3	29	V-4	1½"	174	157	145	126	99	75		
2.2	3	33	V-4	1½"	198	178	165	144	112	86		
3	4	39	V-4	1½"	234	211	195	170	133	101		
3	4	45	V-4	1½"	270	243	225	196	153	117		
3.7	5	52	V-4	1½"	312	281	260	226	177	135		
3.7	5	60	V-4	1½"	360	324	300	260	204	155		

Dimensions & Weights



Model Name	Specification			
	D (mm)	L (mm)	Pump Weight Kg.	Weight (incl. pkg.) Kg.
DSP4RFF03 -06	98	280	3.4	4.0
DSP4RFF03 -09	98	343	4.4	5.3
DSP4RFF03 -12	98	406	5.4	6.6
DSP4RFF03 -15	98	469	6.4	7.9
DSP4RFF03 -18	98	532	7.4	9.2
DSP4RFF03 -22	98	647	8.7	10.9
DSP4RFF03 -25	98	710	9.7	12.2
DSP4RFF03 -29	98	794	10.9	13.8
DSP4RFF03 -33	98	878	12.2	15.5
DSP4RFF03 -39	98	1076	12.7	16.6
DSP4RFF03 -45	98	1233	14.0	18.5
DSP4RFF03 -52	98	1380	15.5	20.7
DSP4RFF03 -60	98	1548	17.3	23.3

G: Available Outlet Size 1.25" BSP

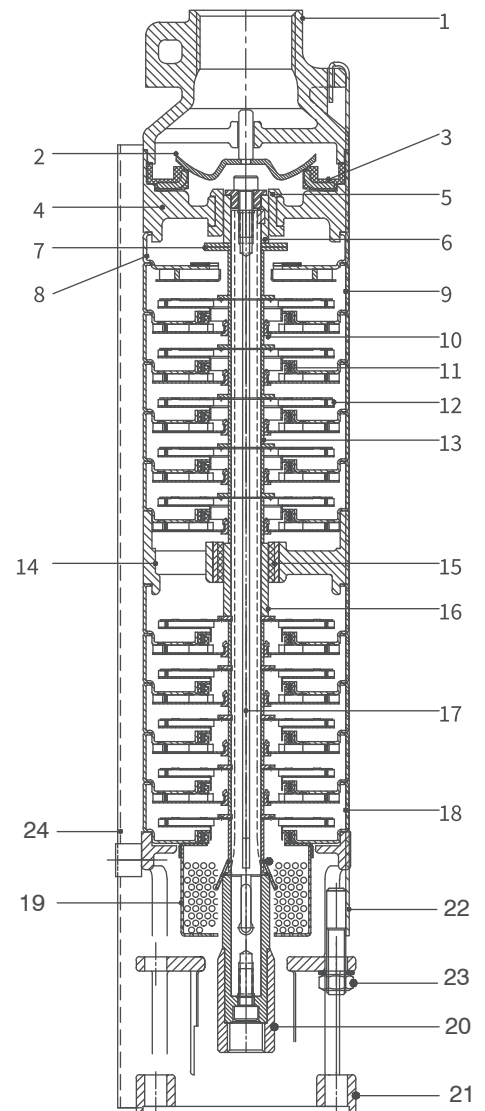
D: With Cable Guard

4"

DSP4RFF05 SERIES PUMP DESIGN

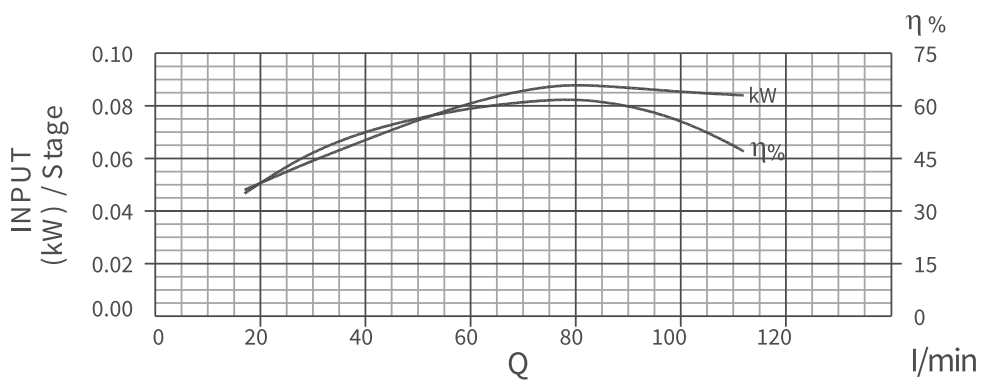
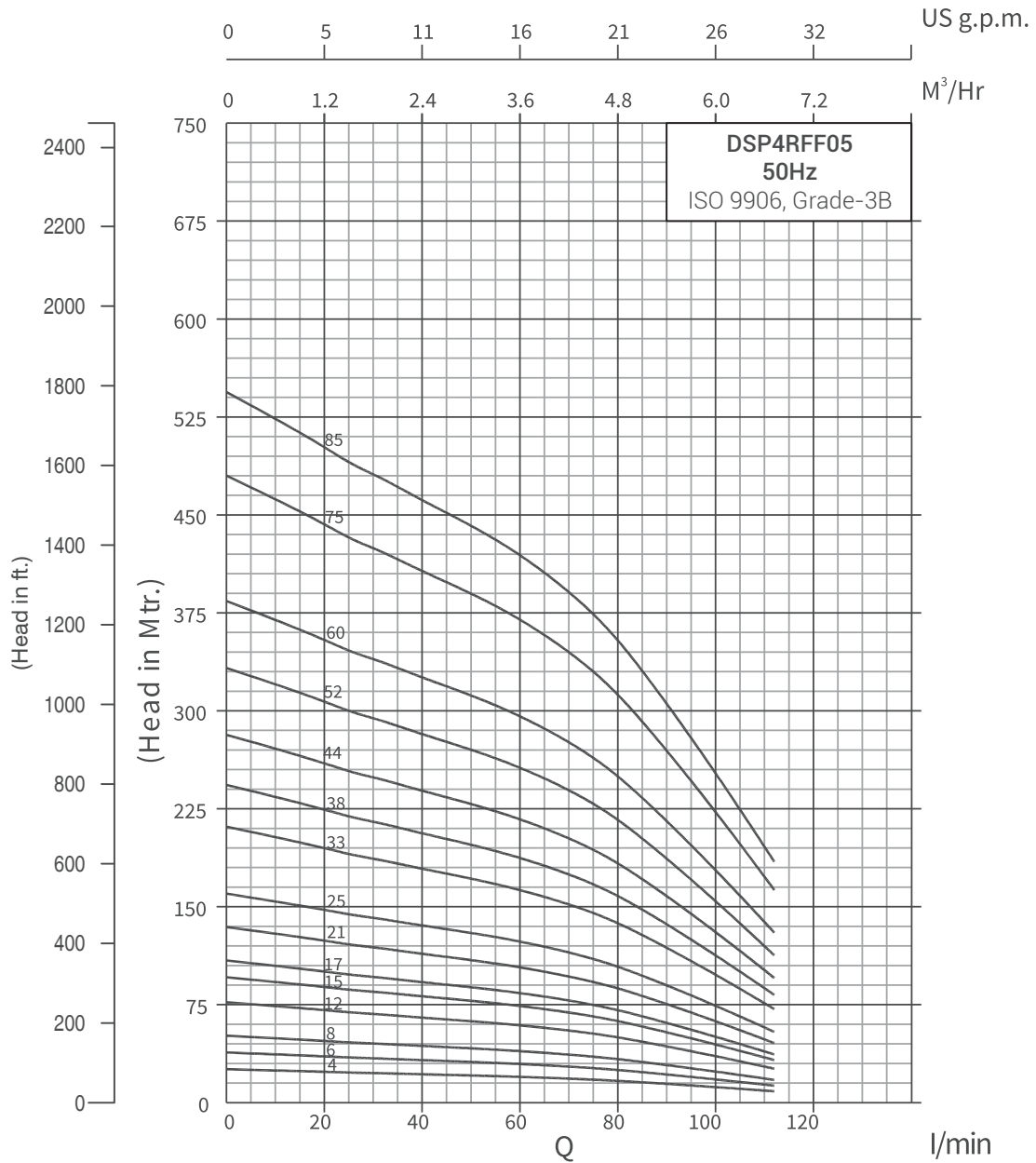
Material specification

No.	PART NAME	MATERIAL
1	N.R.V. 1.25"	SS AISI 304
2	VALVE	SS AISI 304
3	VALVE SEAT	N.B.R.
4	TOP BEARING HOUSING	SS AISI 304
5	TOP BEARING HOUSING BUSH	N.B.R.
6	TOP BEARING HOUSING SLEEVE	SS AISI 304
7	THRUST WASHER	SS AISI 304
8	TOP DIFFUSER	SS AISI 304
9	DIFFUSER	SS AISI 304
10	BEARING BUSH	N.B.R.
11	NECKRING	N.B.R. + P.P.S.
12	IMPELLER	SS AISI 304
13	STAGE SLEEVE	SS AISI 304
14	MIDDLE BEARING HOUSING	SS AISI 304
15	MIDDLE BEARING HOUSING BUSH	N.B.R. + S.S.304
16	MIDDLE BEARING HOUSING SLEEVE	SS AISI 304
17	PUMP SHAFT	SS AISI 431
18	FIRST STAGE DIFFUSER	SS AISI 304
19	STRAINER	SS AISI 304
20	NEMA COUPLING	SS AISI 304
21	SUCTION INTERCONNECTOR	SS AISI 304
22	CLAMPING STRIP	SS AISI 304
23	HEX NUT	A2-70 (316)
24	CABLE GUARD	SS AISI 304



DSP4RFF05, 50Hz

ISO 9906, Grade-3B

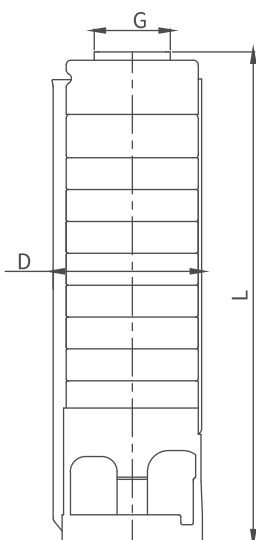


DSP4RFF05, 50Hz

ISO 9906, Grade-3B

kW	HP	Stage	Motor Joinings	Outlet Size	Discharge						
					m ³ /h	0	2.4	3.4	4	5	6
					lpm	0	40	57	67	83	100
0.37	0.5	4	V-4	1½"	Head in Mtrs.	24	21	20	19	16	12
0.55	0.75	6	V-4	1½"		36	32	30	28	24	17
0.75	1	9	V-4	1½"		48	42	40	38	32	23
1.1	1.5	12	V-4	1½"		72	63	60	56	48	35
1.5	2	17	V-4	1½"		102	89	85	80	68	49
2.2	3	21	V-4	1½"		126	110	105	99	84	61
2.2	3	25	V-4	1½"		150	131	125	118	100	73
3	4	33	V-4	1½"		198	173	165	155	132	96
3.7	5	38	V-4	1½"		228	200	190	179	152	110
4.5	6	44	V-4	1½"		264	231	220	207	176	128
5.5	7.5	52	V-4	1½"		312	273	260	244	208	151
5.5	7.5	60	V-4	1½"		360	315	300	281	240	174
7.5	10	75	V-4	1½"		450	394	375	351	300	217
7.5	10	85	V-4	1½"		510	446	425	398	340	246

Dimensions & Weights



Model Name	Specification			
	D (mm)	L (mm)	Pump Weight Kg.	Weight (incl. pkg.) Kg.
DSP4RFF05 -04	98	238	3.2	3.4
DSP4RFF05 -06	98	280	3.6	3.9
DSP4RFF05 -08	98	322	4.0	4.4
DSP4RFF05 -12	98	406	5.6	6.2
DSP4RFF05 -15	98	469	6.6	7.4
DSP4RFF05 -17	98	511	7.0	7.9
DSP4RFF05 -21	98	626	8.4	9.5
DSP4RFF05 -25	98	710	9.7	11.0
DSP4RFF05 -33	98	878	12.5	14.2
DSP4RFF05 -38	98	1169	13.0	14.7
DSP4RFF05 -44	98	1344	14.0	16.0
DSP4RFF05 -52	98	1536	16.3	18.6
DSP4RFF05 -60	119	1820	27.0	29.4
DSP4RFF05 -75	144	2423	43.5	46.1
DSP4RFF05 -85	144	2694	47.5	50.5

G: Available Outlet Size 1.5" BSP

D: With Cable Guard

DP5 - 52 and DP5 - 60 pump available in 6" Joining

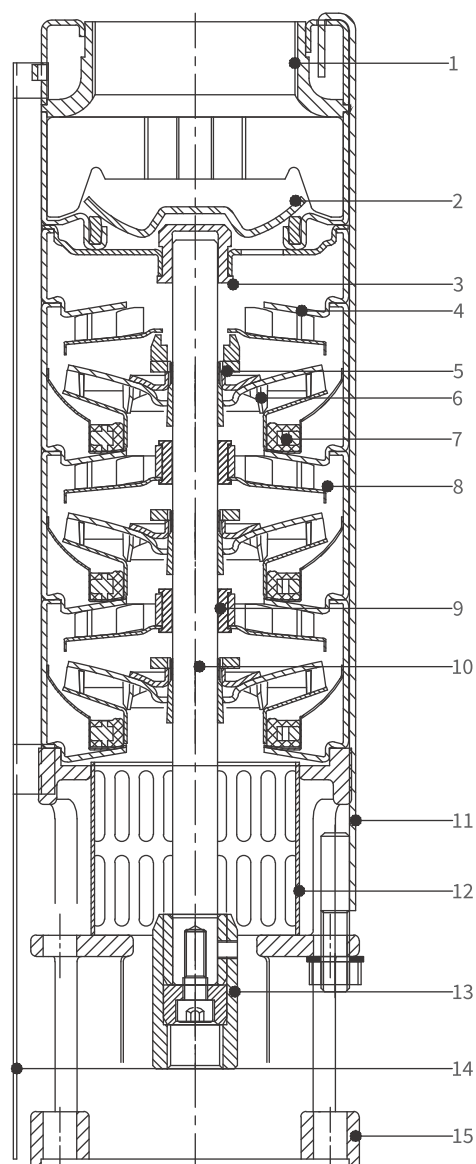
DP5 - 75 and DP5 - 85 pump available in 6" Joining with mounted sleeve.

4"

DSP4RFF08 SERIES PUMP DESIGN

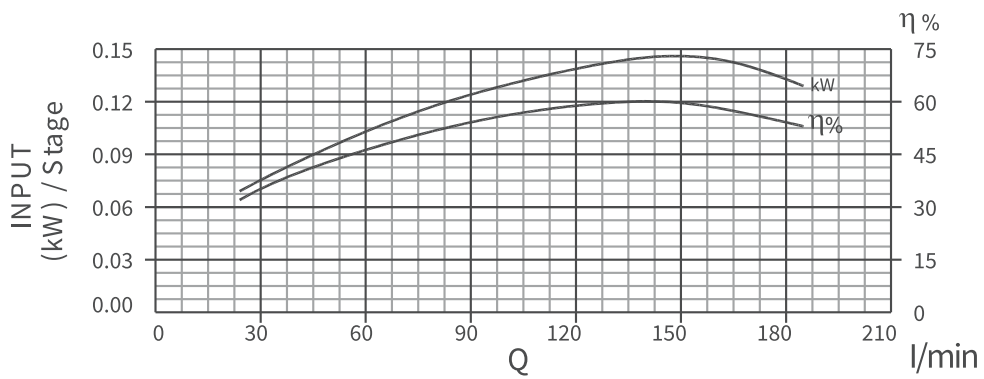
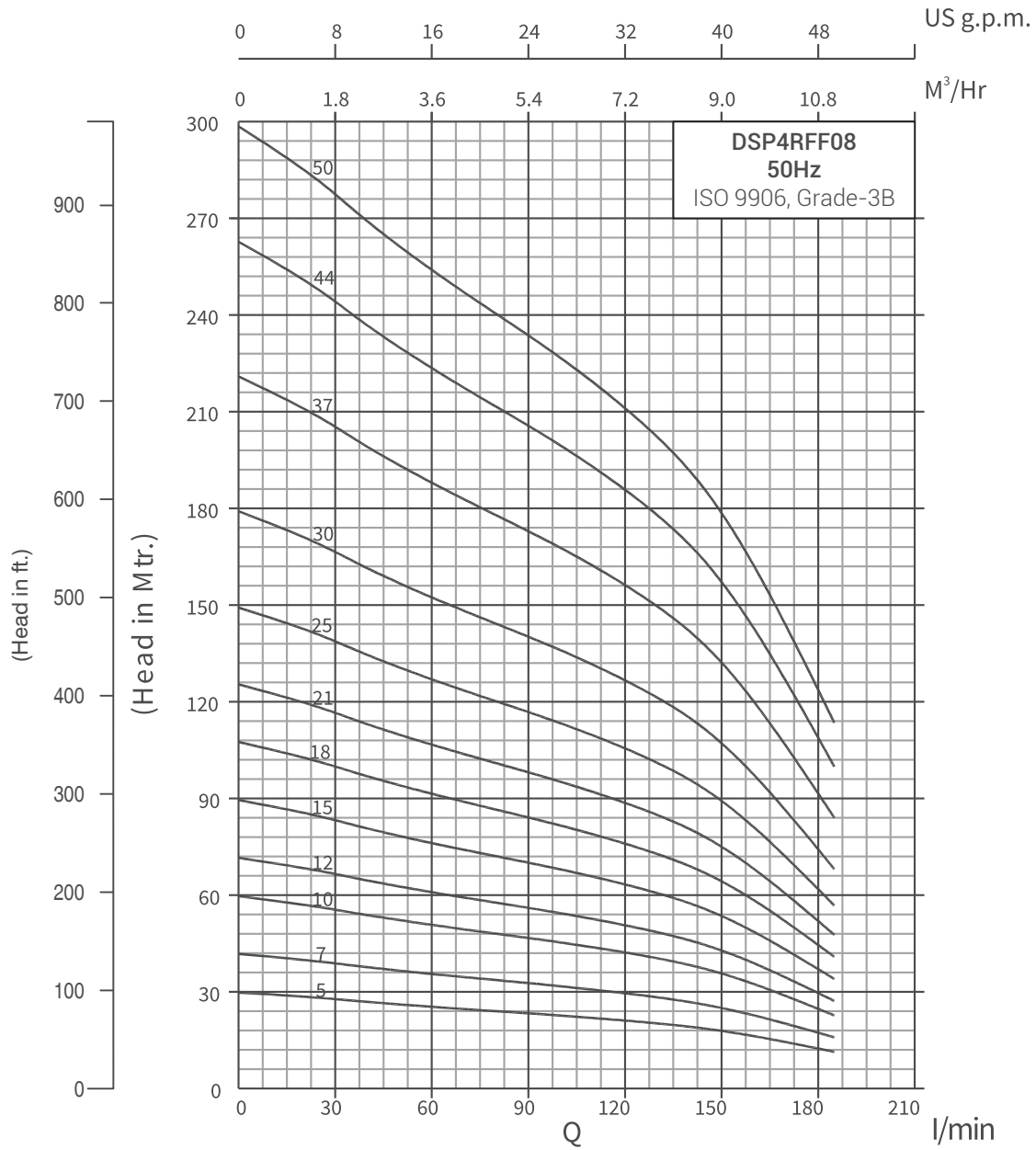
Material specification

No.	PART NAME	MATERIAL
1	N.R.V. 2.0"	SS AISI 304
2	VALVE	SS AISI 304
3	TOP BEARING BUSH	N.B.R.
4	TOP DIFFUSER	SS AISI 304
5	COLLET & COLLET NUT	SS AISI 304
6	IMPELLER	SS AISI 304
7	NECKRING	N.B.R. + NYLON
8	DIFFUSER	SS AISI 304
9	BEARING BUSH	N.B.R.
9	STAGE SLEEVE	SS AISI 304
10	PUMP SHAFT	S.S. AISI 431
11	CLAMPING STRIP	SS AISI 304
12	STRAINER	SS AISI 304
13	NEMA COUPLING	SS AISI 304
14	CABLE GUARD	SS AISI 304
15	SUCTION	SS AISI 304



DSP4RFF08, 50Hz

ISO 9906, Grade-3B

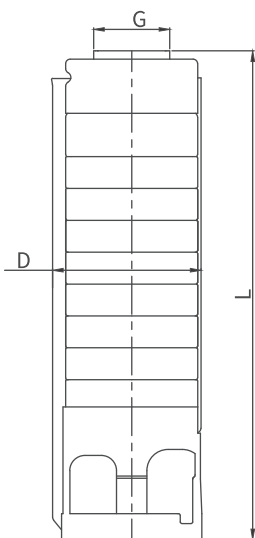


DSP4RFF08, 50Hz

ISO 9906, Grade-3B

kW	HP	Stage	Motor Joinings	Outlet Size	Discharge						
					m ³ /h	0	4	6	8	9	10
					lpm	0	67	100	133	150	167
0.75	1	5	V-4	2"	Head in Mtrs.	30	24	23	20	18	14
1.1	1.5	7	V-4	2"		42	34	32	28	25	20
1.5	2	10	V-4	2"		60	48	45	40	36	28
2.2	3	12	V-4	2"		72	58	54	48	43	34
2.2	3	15	V-4	2"		90	72	68	60	54	42
3	4	18	V-4	2"		108	86	81	72	65	50
3.7	5	21	V-4	2"		126	101	95	84	76	59
4.5	6	25	V-4	2"		150	120	113	100	90	70
5.5	7.5	30	V-4	2"		180	144	135	120	108	84
5.5	7.5	37	V-4	2"		222	178	167	148	133	104
7.5	10	44	V-4	2"		264	211	198	176	158	123
7.5	10	50	V-4	2"		300	240	225	200	179	140

Dimensions & Weights



Model Name	Specification			
	D (mm)	L (mm)	Pump Weight Kg.	Weight (incl. pkg.) Kg.
DSP4RFF08 -05	98	410	7.2	10.2
DSP4RFF08 -07	98	494	7.7	10.7
DSP4RFF08 -10	98	620	8.4	11.4
DSP4RFF08 -12	98	704	8.9	11.9
DSP4RFF08 -15	98	830	9.7	12.7
DSP4RFF08 -18	98	956	10.5	13.5
DSP4RFF08 -21	98	1082	11.2	14.2
DSP4RFF08 -25	98	1250	12.3	15.3
DSP4RFF08 -30	98	1460	13.5	16.5
DSP4RFF08 -37	98	1754	15.3	18.3
DSP4RFF08 -44	98	2048	17.1	20.1
DSP4RFF08 -50	98	2300	18.8	21.8

G: Available Outlet Size BSP 2.0"

D: With Cable Guard

DP8 -30, DP8 -37, DP8A-44 & DP8-50

pump are also available in 6" Joining.

DP8 -58, DP8 -66, DP8 -73, DP8 -82,

DP8 -91, DP8 -100 & DP8 -110 pump are

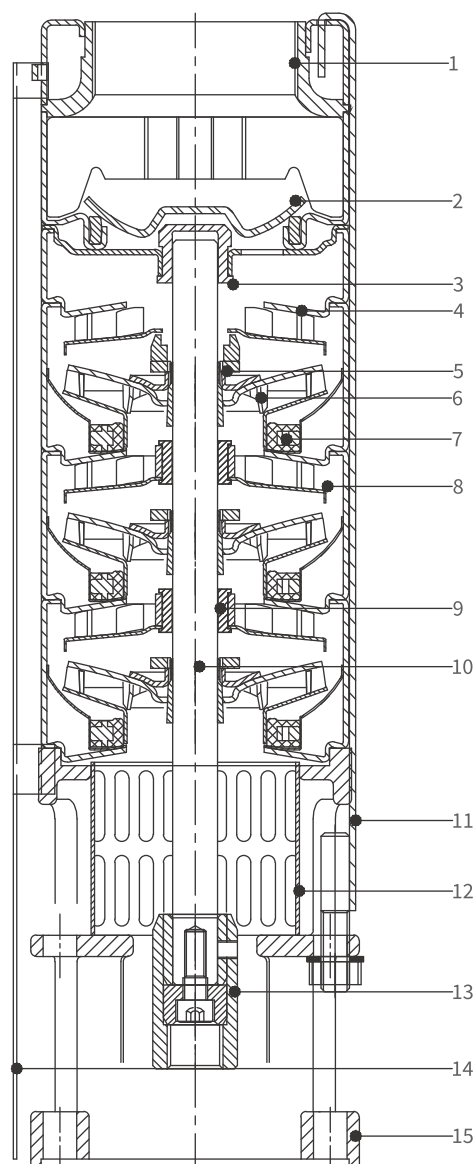
also available in 6" Joining with mounted sleeve.

4"

DSP4RFF09 SERIES PUMP DESIGN

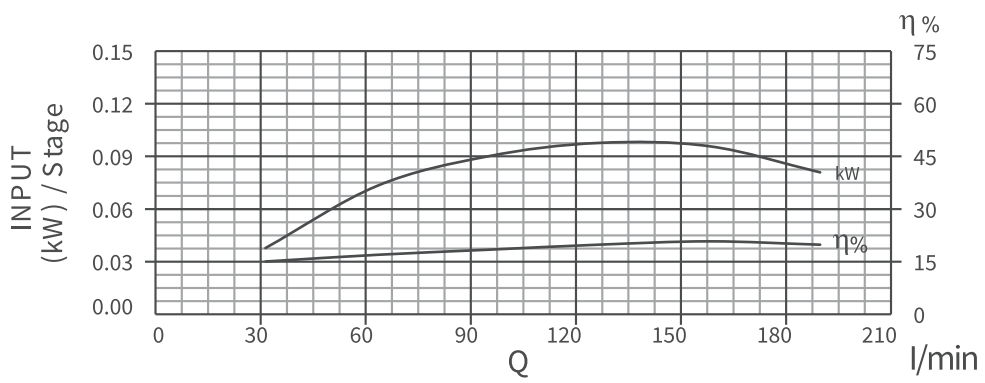
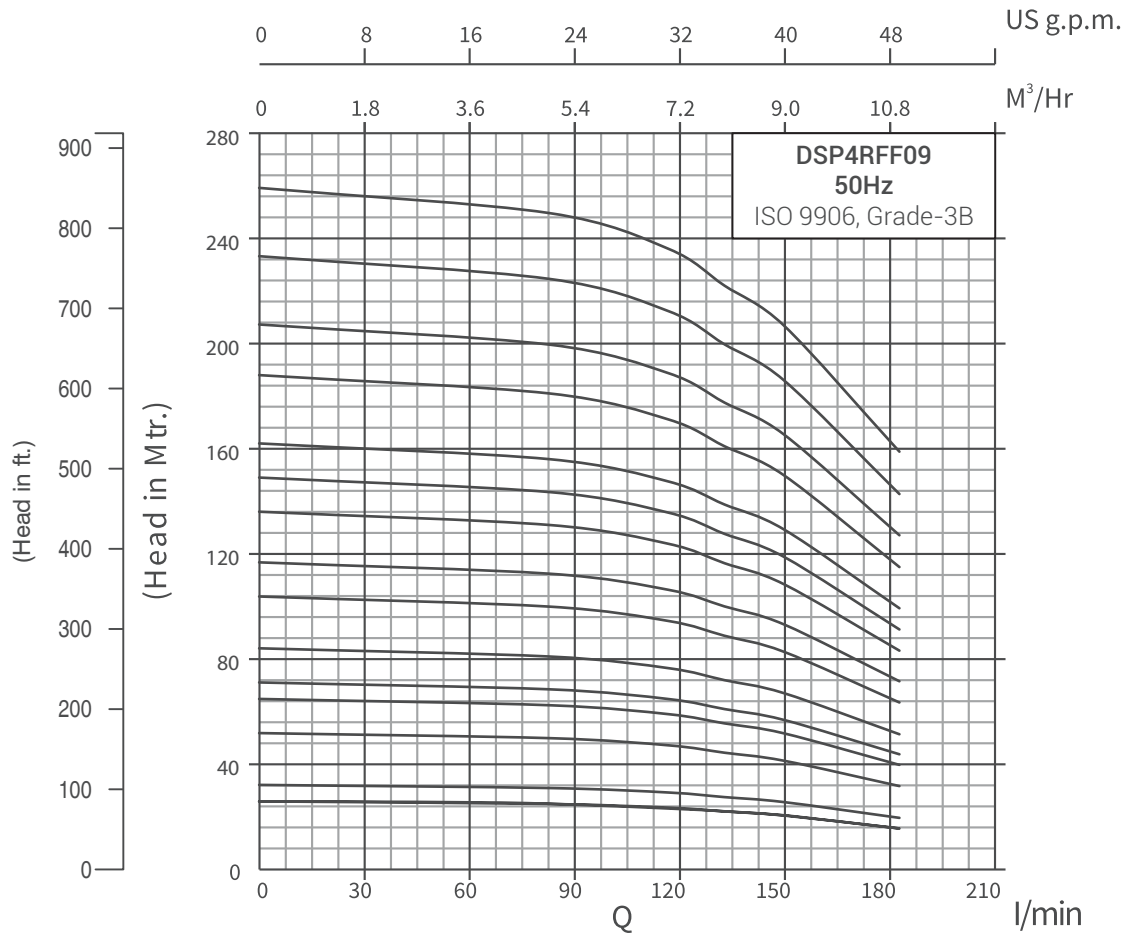
Material specification

No.	PART NAME	MATERIAL
1	N.R.V. 2.0"	SS AISI 304
2	VALVE	SS AISI 304
3	TOP BEARING BUSH	N.B.R.
4	TOP DIFFUSER	SS AISI 304
5	COLLET & COLLET NUT	SS AISI 304
6	IMPELLER	SS AISI 304
7	NECKRING	N.B.R. + NYLON
8	DIFFUSER	SS AISI 304
9	BEARING BUSH	N.B.R.
9	STAGE SLEEVE	SS AISI 304
10	PUMP SHAFT	S.S. AISI 431
11	CLAMPING STRIP	SS AISI 304
12	STRAINER	SS AISI 304
13	NEMA COUPLING	SS AISI 304
14	CABLE GUARD	SS AISI 304
15	SUCTION	SS AISI 304



DSP4RFF09, 50Hz

ISO 9906, Grade-3B

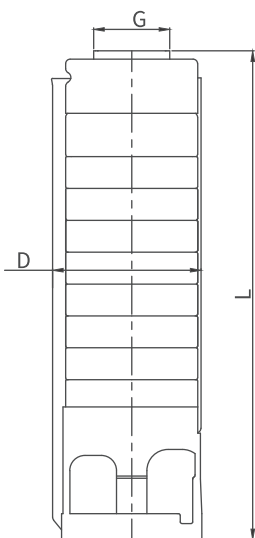


DSP4RFF09, 50Hz

ISO 9906, Grade-3B

kW	HP	Stage	Motor Joinings	Outlet Size	Discharge						
					m ³ /h	0	4	6	8	9	10
					lpm	0	67	100	133	150	167
0.75	1	4	V4	2" BSP	Head in Mtrs.	26	25	24	22	21	16
1.1	1.5	5	V4	2" BSP		32	31	30	28	26	20
1.5	2	8	V4	2" BSP		52	50	47	44	41	32
2.2	3	10	V4	2" BSP		65	62	59	56	52	40
2.2	3	11	V4	2" BSP		71	69	65	61	57	44
3	4	13	V4	2" BSP		84	81	77	72	67	52
3	4	16	V4	2" BSP		104	100	94	89	83	64
3.7	5	18	V4	2" BSP		117	112	106	100	93	71
3.7	5	21	V4	2" BSP		136	131	124	117	109	83
5.5	7.5	23	V4	2" BSP		149	144	136	128	119	91
5.5	7.5	25	V4	2" BSP		162	156	148	139	129	99
5.5	7.5	29	V4	2" BSP		188	181	171	161	150	115
7.5	10	32	V4	2" BSP		207	200	189	178	165	127
7.5	10	36	V4	2" BSP		233	225	212	200	186	143
7.5	10	40	V4	2" BSP		259	250	236	222	207	159

Dimensions & Weights



Model Name	Specification			
	D (mm)	L (mm)	Pump Weight Kg.	Weight (incl. pkg.) Kg.
DSP4RFF08 -05	98	410	7.2	10.2
DSP4RFF08 -07	98	494	7.7	10.7
DSP4RFF08 -10	98	620	8.4	11.4
DSP4RFF08 -12	98	704	8.9	11.9
DSP4RFF08 -15	98	830	9.7	12.7
DSP4RFF08 -18	98	956	10.5	13.5
DSP4RFF08 -21	98	1082	11.2	14.2
DSP4RFF08 -25	98	1250	12.3	15.3
DSP4RFF08 -30	98	1460	13.5	16.5
DSP4RFF08 -37	98	1754	15.3	18.3
DSP4RFF08 -44	98	2048	17.1	20.1
DSP4RFF08 -50	98	2300	18.8	21.8

G: Available Outlet Size BSP 2.0"

D: With Cable Guard

DP8 -30, DP8 -37, DP8A-44 & DP8-50

pump are also available in 6" Joining.

DP8 -58, DP8 -66, DP8 -73, DP8 -82,

DP8 -91, DP8 -100 & DP8 -110 pump are

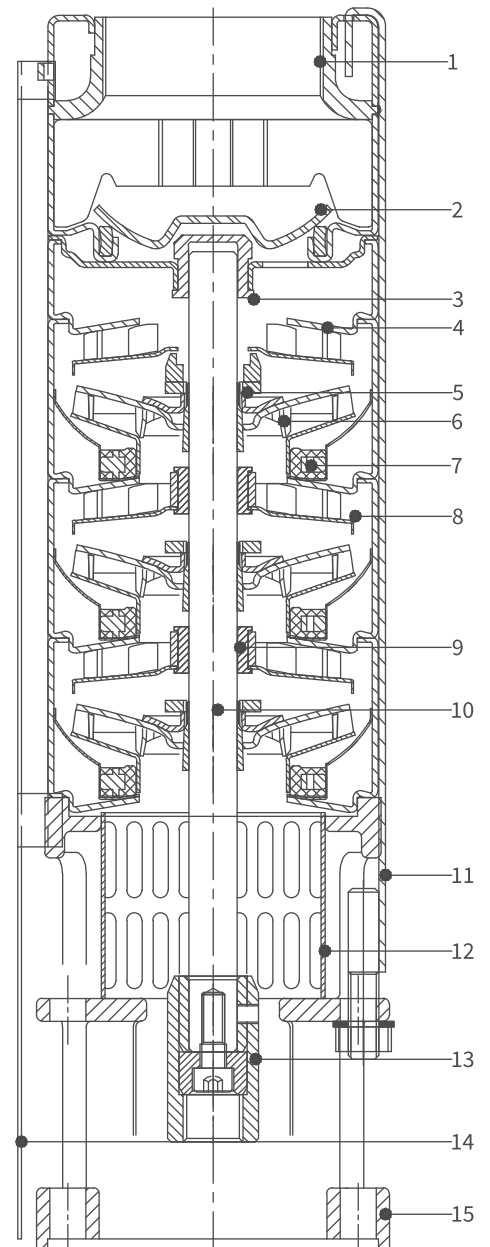
also available in 6" Joining with mounted sleeve.

4"

DSP4RFF14 SERIES PUMP DESIGN

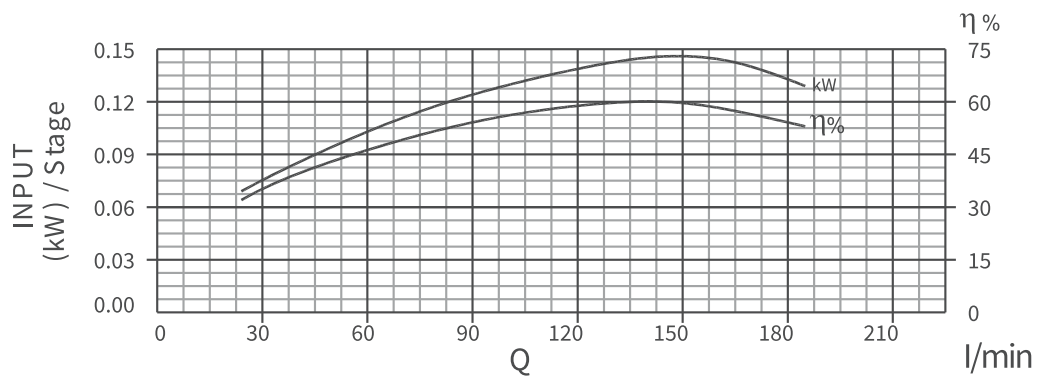
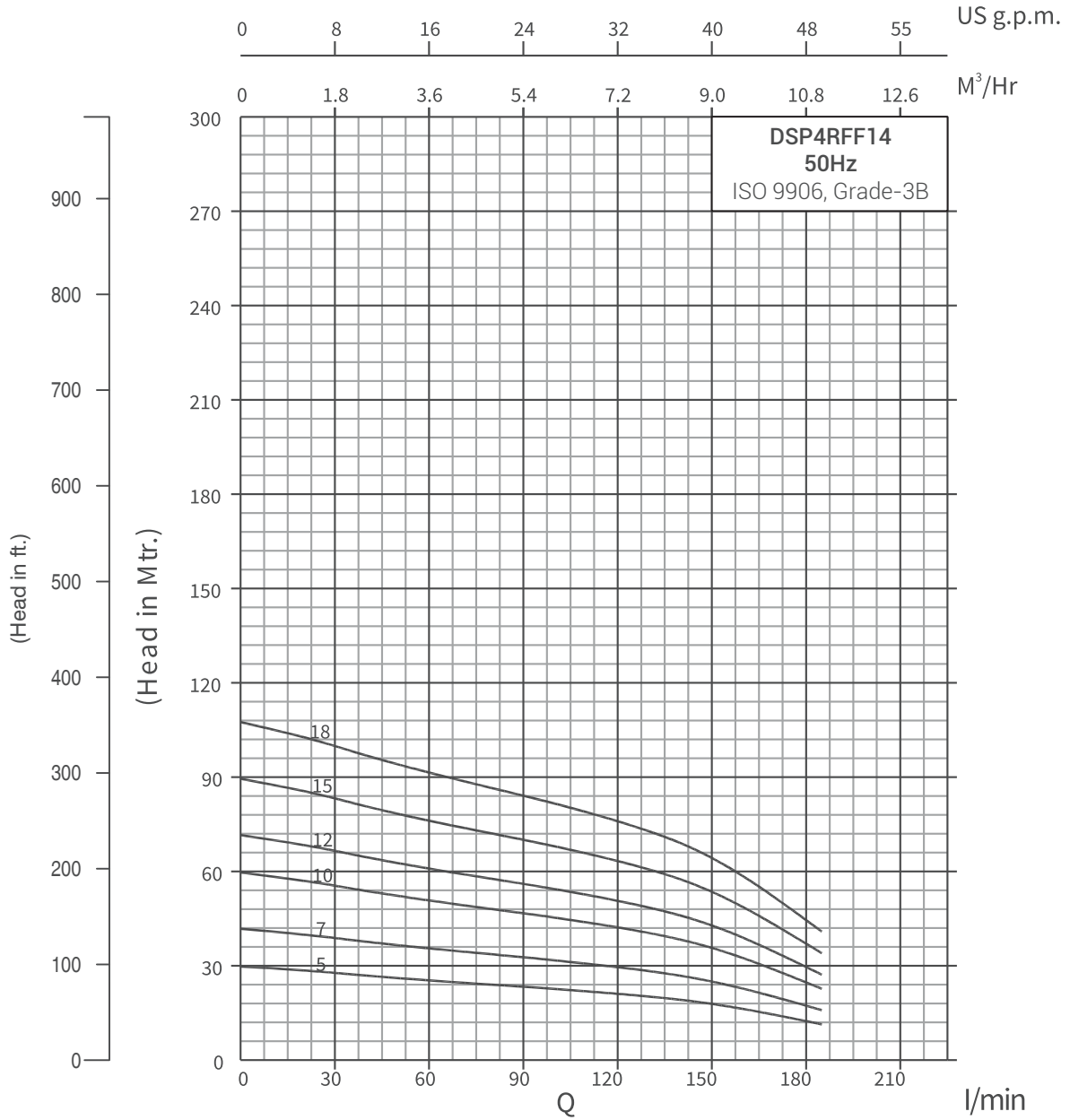
Material specification

No.	PART NAME	MATERIAL
1	N.R.V. 2.0"	S.S AISI 304
2	VALVE	SS AISI 304
3	TOP BEARING BUSH	N.B.R.
4	TOP DIFFUSER	SS AISI 304
5	COLLET & COLLET NUT	SS AISI 304
6	IMPELLER	SS AISI 304
7	NECKRING	N.B.R. + NYLON
8	DIFFUSER	SS AISI 304
9	BEARING BUSH	N.B.R.
10	PUMP SHAFT	SS AISI 431
11	CLAMPING STRIP	SS AISI 304
12	STRAINER	SS AISI 304
13	NEMA COUPLING	SS AISI 304
14	CABLE GUARD	SS AISI 304
15	SUCTION	SS AISI 304



DSP4RFF14, 50Hz

ISO 9906, Grade-3B

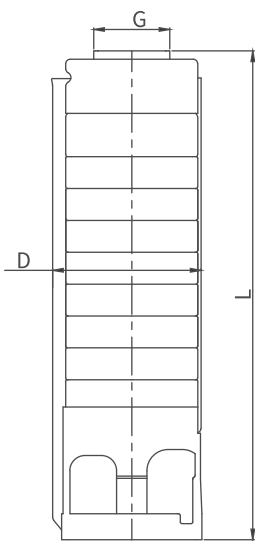


DSP4RFF14, 50Hz

ISO 9906, Grade-3B

kW	HP	Stage	Motor Joinings	Outlet Size	Discharge						
					m ³ /h	0	6	12	14	15	18
					lpm	0	100	200	233	250	300
1.5	2	5	V-4	2"	Head in Mtrs.	33	31	26	23	21	13
2.2	3	7	V-4	2"		46	43	36	32	29	18
3	4	10	V-4	2"		66	62	51	46	41	26
4.5	6	13	V-4	2"		86	81	66	60	53	34
5.5	7.5	18	V-4	2"		119	112	92	83	74	47

Dimensions & Weights



Model Name	Specification			
	D (mm)	L (mm)	Pump Weight Kg.	Weight (incl. pkg.) Kg.
DSP4RFF14 - 05	98	410	7.2	10.2
DSP4RFF14 - 07	98	494	7.7	10.7
DSP4RFF14 - 10	98	620	8.4	11.4
DSP4RFF14 - 12	98	704	8.9	11.9
DSP4RFF14 - 15	98	830	9.7	12.7
DSP4RFF14 - 18	98	956	10.5	13.5

G: Available Outlet Size BSP 2.0"

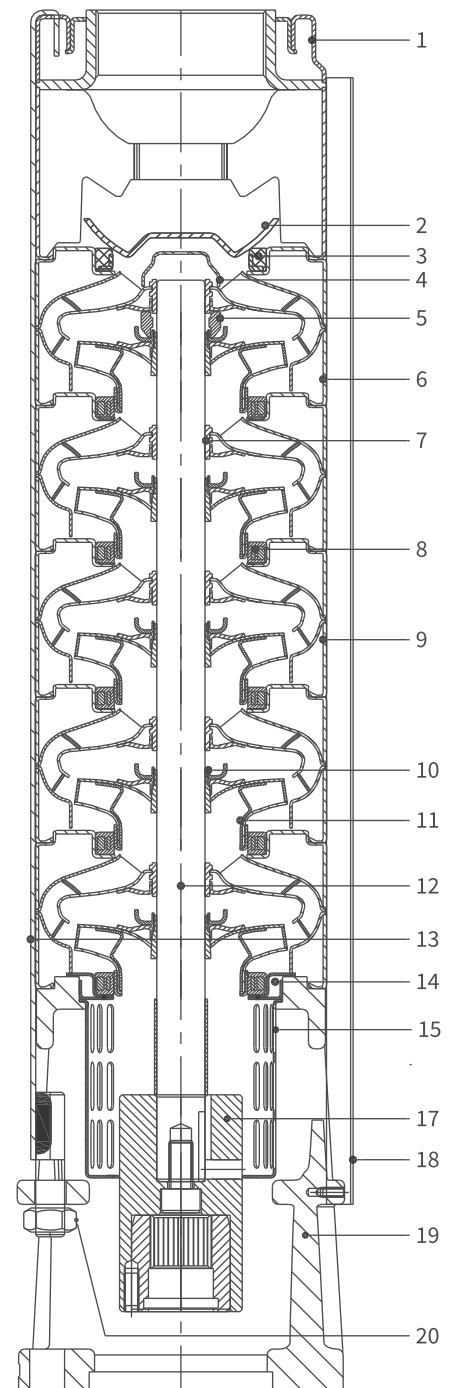
D: With Cable Guard

6"

DSP6MFF9 SERIES PUMP DESIGN

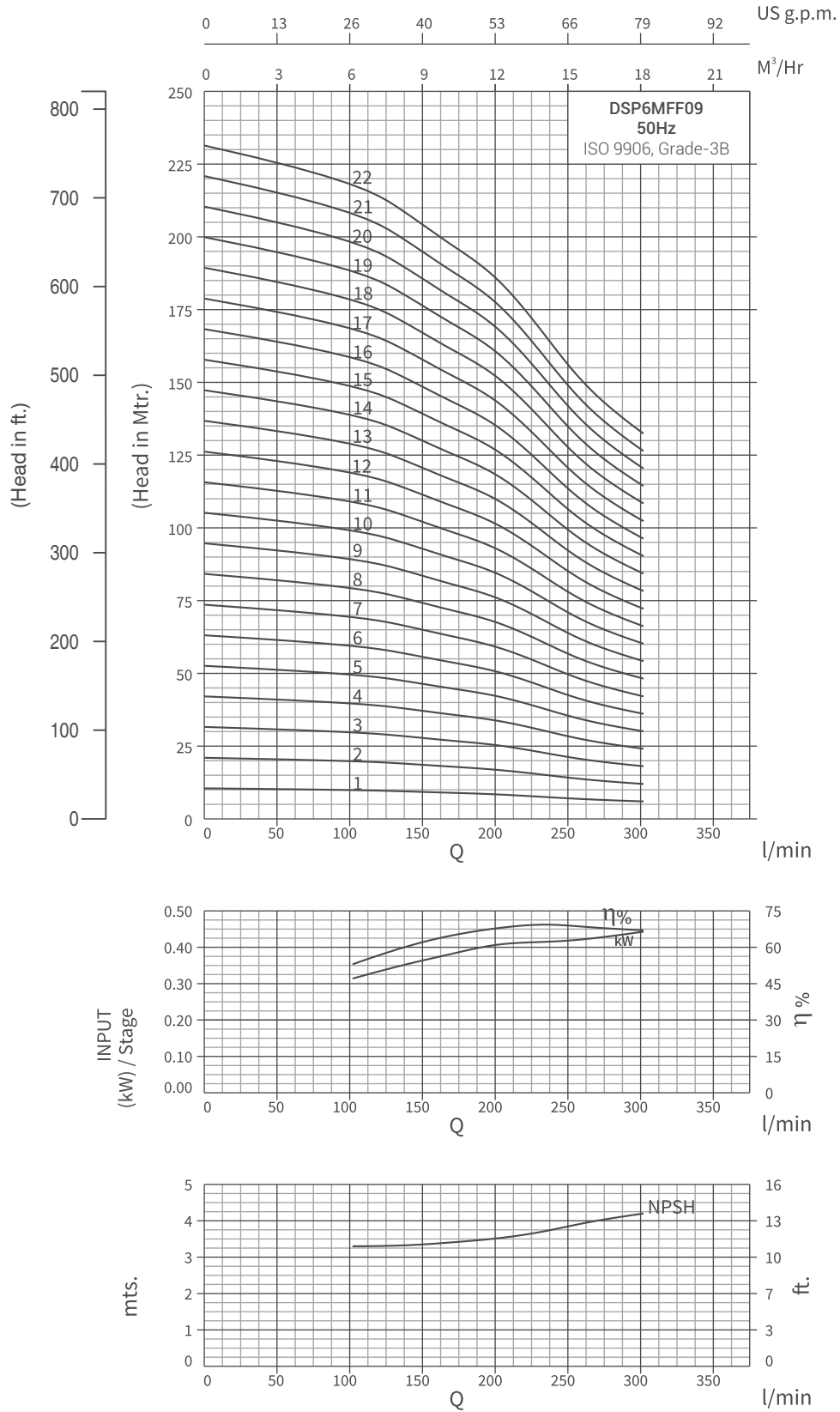
Material specification

No.	PART NAME	MATERIAL
1	N.R.V.	S.S AISI 304
2	VALVE	SS AISI 304
3	VALVE SEAT	N.B.R. + S.S.304
4	TOP CAP	SS AISI 304
5	SPACING WASHER	PTFE
6	INTERMEDIATE CHAMBER TOP	SS AISI 304
7	BEARING BUSH	N.B.R.
8	NECKRING	N.B.R. + NYLON
9	INTERMEDIATE CHAMBER	SS AISI 304
10	COLLET & COLLET NUT	SS AISI 304
11	IMPELLER	SS AISI 304
12	PUMP SHAFT	S.S. AISI 431
13	CLAMPING STRIP	SS AISI 304
14	SUCTION CONNECTOR	SS AISI 304
15	STRAINER	SS AISI 304
16	NEMA COUPLING	SS AISI 304
17	CABLE GUARD	SS AISI 304
18	SUCTION	SS AISI 304
19	HEX NUT	A2-70 (316)



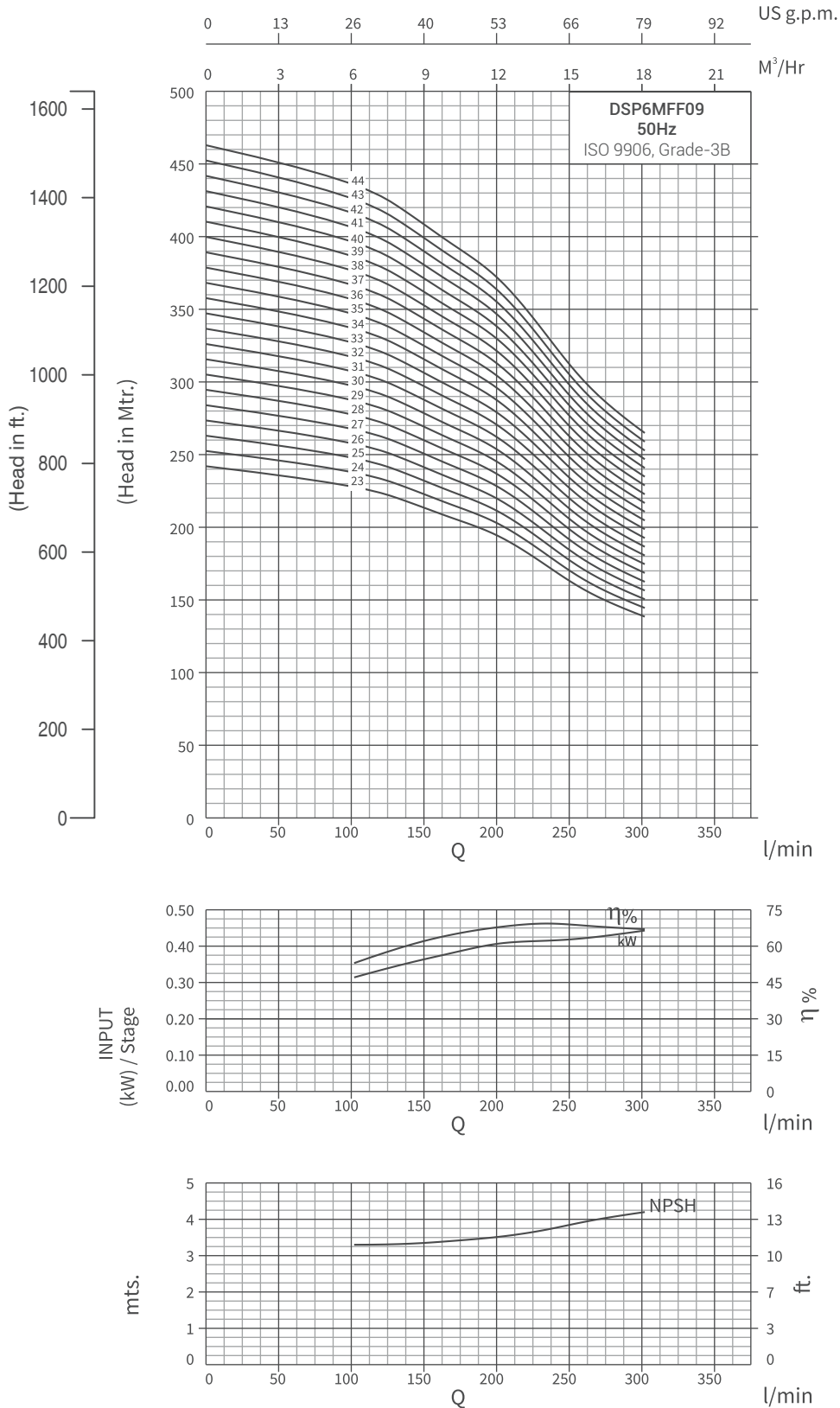
DSP6MFF09, 50Hz

ISO 9906, Grade-3B



DSP6MFF09, 50Hz

ISO 9906, Grade-3B



DSP6MFF09, 50Hz

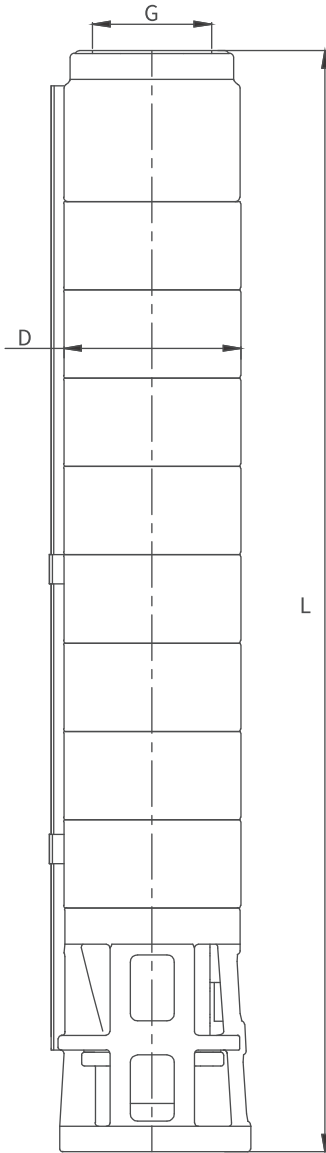
ISO 9906, Grade-3B

kW	HP	Stage	Motor Joinings	Outlet Size	Discharge					
					m ³ /h	0	6	12	14	15
					lpm	0	100	150	200	250
0.55	0.75	1	V-6	2"BSP	Head in Mtrs.	10	9	8	7	6
0.75	1	2	V-6	2"BSP		21	20	18	15	12
1.5	2	3	V-6	2"BSP		32	29	26	23	19
2.2	3	4	V-6	2"BSP		42	39	35	30	25
2.2	3	5	V-6	2"BSP		53	49	44	38	31
3	4	6	V-6	2"BSP		63	59	53	45	37
3	4	7	V-6	2"BSP		74	69	62	53	43
37	5	8	V-6	2"BSP		84	78	70	60	50
3.7	5	9	V-6	2"BSP		95	88	79	68	56
4.5	6	10	V-6	2"BSP		105	98	88	75	62
5.5	7.5	11	V-6	2"BSP		116	108	97	83	68
5.5	7.5	12	V-6	2"BSP		126	118	106	90	74
5.5	7.5	13	V-6	2"BSP		137	127	114	98	81
7.5	10	14	V-6	2"BSP		147	137	123	105	87
7.5	10	15	V-6	2"BSP		158	147	132	113	93
7.5	10	16	V-6	2"BSP		168	157	141	120	99
7.5	10	17	V-6	2"BSP		179	167	150	128	105
7.5	10	18	V-6	2"BSP		189	176	158	135	112
9.3	12.5	19	V-6	2"BSP		200	186	167	143	118
9.3	12.5	20	V-6	2"BSP		210	196	176	150	124
9.3	12.5	21	V-6	2"BSP		221	206	185	158	130
9.3	12.5	22	V-6	2"BSP		231	216	194	165	136
11	15	23	V-6	2"BSP		242	225	202	173	143
11	15	24	V-6	2"BSP		252	235	211	180	149
11	15	25	V-6	2"BSP		263	245	220	188	155
11	15	26	V-6	2"BSP		273	255	229	195	161
13	17.5	27	V-6	2"BSP		284	265	238	203	167
13	17.5	28	V-6	2"BSP		294	274	246	210	174
13	17.5	29	V-6	2"BSP		305	284	255	218	180
13	17.5	30	V-6	2"BSP		315	294	264	225	186
13	17.5	31	V-6	2"BSP		326	304	273	233	192
15	20	32	V-6	2"BSP		336	314	282	240	198
15	20	33	V-6	2"BSP		347	323	290	248	205
15	20	34	V-6	2"BSP		357	333	299	255	211
15	20	35	V-6	2"BSP		368	343	308	263	217
15	20	36	V-6	2"BSP		378	353	317	270	223
18.5	25	37	V-6	2"BSP		389	363	326	278	229
18.5	25	38	V-6	2"BSP		399	372	334	285	236
18.5	25	39	V-6	2"BSP		410	382	343	293	242
18.5	25	40	V-6	2"BSP		420	392	352	300	248
18.5	25	41	V-6	2"BSP		431	402	361	308	254
18.5	25	42	V-6	2"BSP		441	412	370	315	260
22	30	43	V-8	2"BSP		451	423	379	322	266
22	30	44	V-8	2"BSP		461	433	388	329	272

DSP6MFF09, 50Hz

ISO 9906, Grade-3B

Dimensions & Weights



Model Name	Specification			
	D (mm)	L (mm)	Pump Weight Kg.	Weight (incl. pkg.) Kg.
DSP6MFF09 - 1	144	331	8	10
DSP6MFF09 - 2	144	392	9	11
DSP6MFF09 - 3	144	452	10	12
DSP6MFF09 - 4	144	513	12	14
DSP6MFF09 - 5	144	573	13	15
DSP6MFF09 - 6	144	634	14	16
DSP6MFF09 - 7	144	694	15	17
DSP6MFF09 - 8	144	755	17	19
DSP6MFF09 - 9	144	815	18	20
DSP6MFF09 - 10	144	876	19	21
DSP6MFF09 - 11	144	936	20	23
DSP6MFF09 - 12	144	997	22	24
DSP6MFF09 - 13	144	1057	23	25
DSP6MFF09 - 14	144	1118	24	26
DSP6MFF09 - 15	144	1178	25	28
DSP6MFF09 - 16	144	1239	26	29
DSP6MFF09 - 17	144	1299	28	31
DSP6MFF09 - 18	144	1360	29	32
DSP6MFF09 - 19	144	1420	30	33
DSP6MFF09 - 20	144	1481	31	34
DSP6MFF09 - 21	144	1541	33	36
DSP6MFF09 - 22	144	1602	34	37
DSP6MFF09 - 23	144	1662	35	39
DSP6MFF09 - 24	144	1723	36	40
DSP6MFF09 - 25	144	1783	38	41
DSP6MFF09 - 26	144	1844	39	42
DSP6MFF09 - 27	144	1904	40	43
DSP6MFF09 - 28	144	1965	41	45
DSP6MFF09 - 29	144	2025	42	46
DSP6MFF09 - 30	144	2086	44	47
DSP6MFF09 - 31	144	2146	45	49
DSP6MFF09 - 32	144	2207	46	50
DSP6MFF09 - 33	144	2267	47	51
DSP6MFF09 - 34	144	2328	49	53
DSP6MFF09 - 35	144	2388	50	54
DSP6MFF09 - 36	144	2449	51	55
DSP6MFF09 - 37	144	2509	52	56
DSP6MFF09 - 38	144	2570	53	57
DSP6MFF09 - 39	144	2630	55	59
DSP6MFF09 - 40	144	2691	56	60
DSP6MFF09 - 41	144	2751	57	62
DSP6MFF09 - 42	144	2812	58	63
DSP6MFF09 - 43	144	2872	60	64
DSP6MFF09 - 44	144	2933	61	65

G: Available Outlet Size BSP 2.5"

D: With Cable Guard

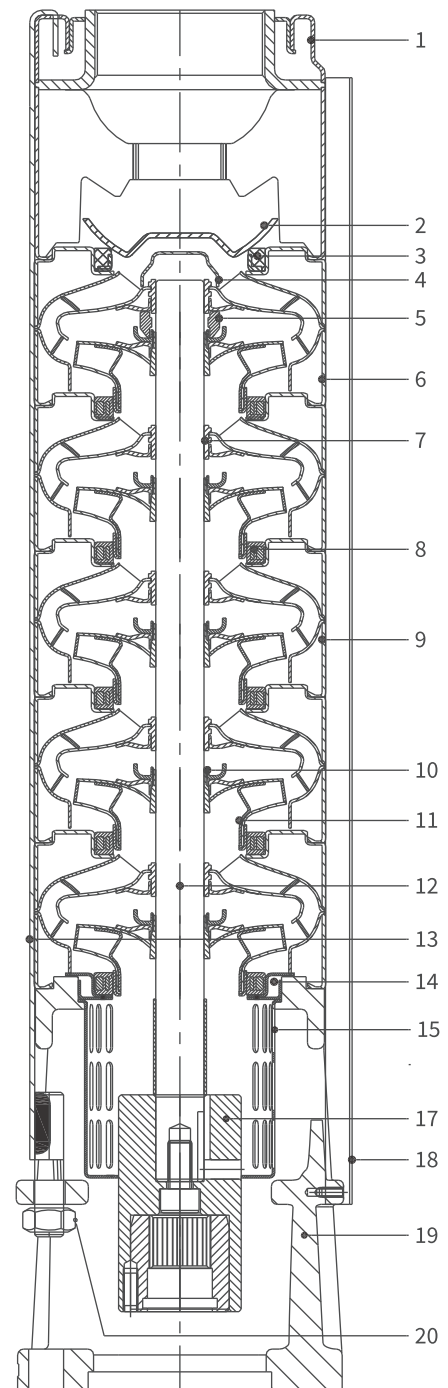
DP9 -01 to DP9 -44 Pumps Are Also Available In 4" Joining

6"

DSP6MFF12 SERIES PUMP DESIGN

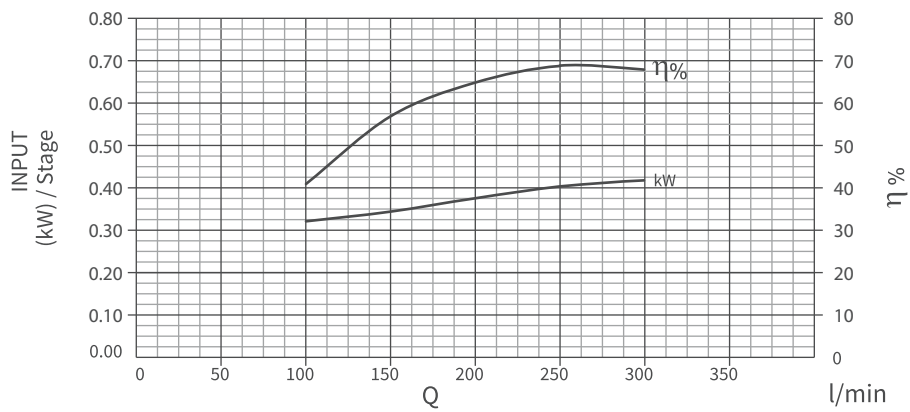
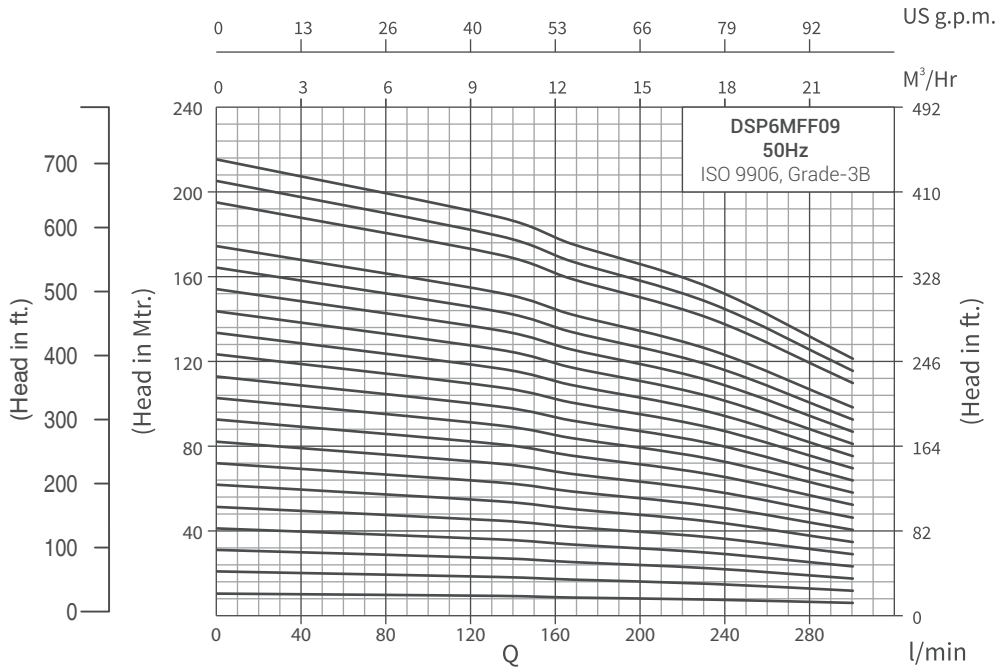
Material specification

No.	PART NAME	MATERIAL
1	N.R.V.	S.S AISI 304
2	VALVE	SS AISI 304
3	VALVE SEAT	N.B.R. + S.S.304
4	TOP CAP	SS AISI 304
5	SPACING WASHER	PTFE
6	INTERMEDIATE CHAMBER TOP	SS AISI 304
7	BEARING BUSH	N.B.R.
8	NECKRING	N.B.R. + NYLON
9	INTERMEDIATE CHAMBER	SS AISI 304
10	COLLET & COLLET NUT	SS AISI 304
11	IMPELLER	SS AISI 304
12	PUMP SHAFT	S.S. AISI 431
13	CLAMPING STRIP	SS AISI 304
14	SUCTION CONNECTOR	SS AISI 304
15	STRAINER	SS AISI 304
16	NEMA COUPLING	SS AISI 304
17	CABLE GUARD	SS AISI 304
18	SUCTION	SS AISI 304
19	HEX NUT	A2-70 (316)



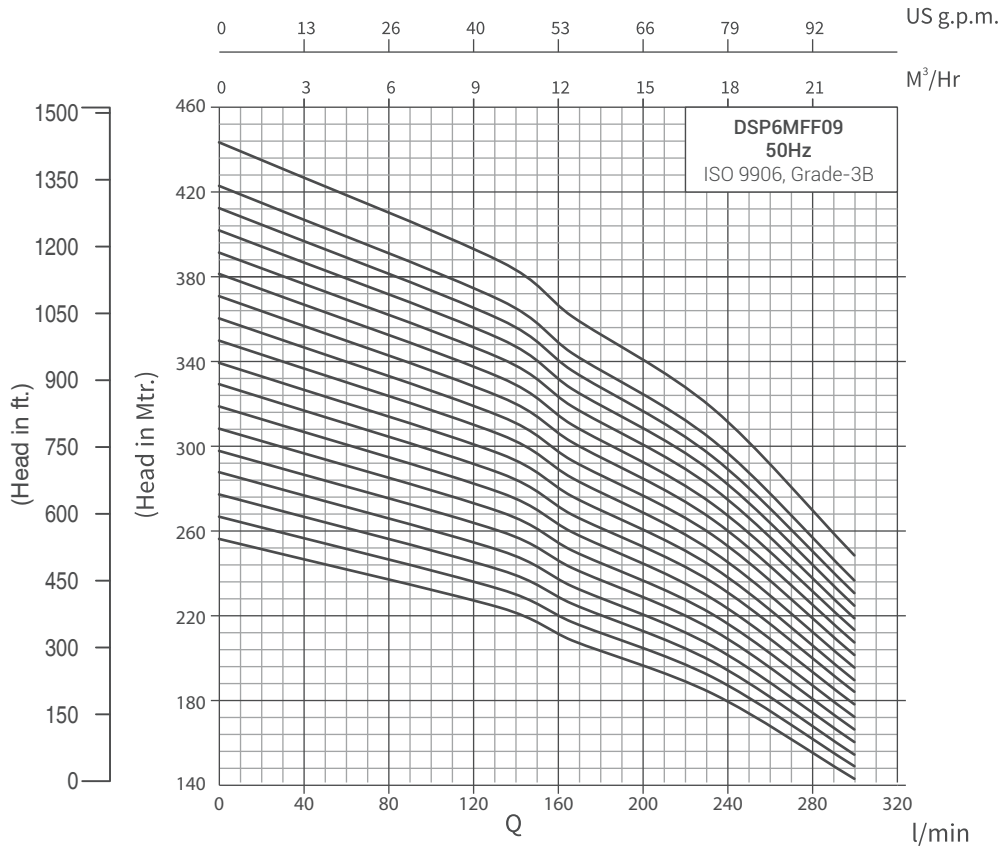
DSP6MFF12, 50Hz

ISO 9906, Grade-3B



DSP6MFF12, 50Hz

ISO 9906, Grade-3B



DSP6MFF12, 50Hz

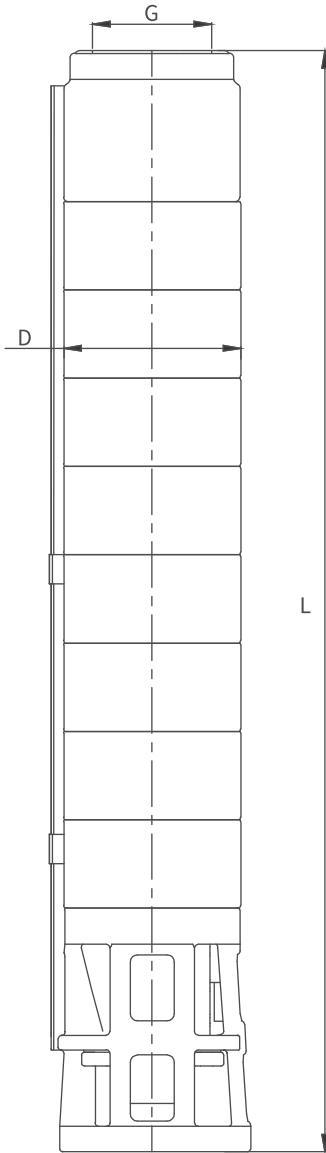
ISO 9906, Grade-3B

kW	HP	Stage	Motor Joinings	Outlet Size	Discharge					
					m ³ /h	0	6	12	14	15
					lpm	0	100	150	200	250
0.55	0.75	1	V4	2" BSP	Head in Mtrs.	10	9	8	7	6
1.1	1.5	2	V4	2" BSP		21	18	17	15	12
1.5	2	3	V4	2" BSP		31	27	25	22	17
2.2	3	4	V6	2" BSP		41	36	34	30	23
2.2	3	5	V6	2" BSP		52	45	42	37	29
3	4	6	V6	2" BSP		62	54	50	44	35
3	4	7	V6	2" BSP		72	63	59	52	41
3	4	8	V6	2" BSP		82	72	67	59	46
3.7	5	9	V6	2" BSP		93	81	76	67	52
3.7	5	10	V6	2" BSP		103	90	84	74	58
4.5	6	11	V6	2" BSP		113	99	92	81	64
4.5	6	12	V6	2" BSP		124	108	101	89	70
5.5	7.5	13	V6	2" BSP		134	117	109	96	75
7.5	10	14	V6	2" BSP		144	126	118	104	81
7.5	10	15	V6	2" BSP		155	135	126	111	87
7.5	10	16	V6	2" BSP		165	144	134	118	93
7.5	10	17	V6	2" BSP		175	153	143	126	99
7.5	10	20	V6	2" BSP		206	180	168	148	116
9.3	12.5	19	V6	2" BSP		196	171	160	141	110
9.3	12.5	21	V6	2" BSP		216	189	176	155	122
11	12.5	25	V6	2" BSP		258	225	210	185	145
13	15	26	V6	2" BSP		268	234	218	192	151
13	15	27	V6	2" BSP		278	243	227	200	157
13	17.5	28	V6	2" BSP		288	252	235	207	162
13	17.5	29	V6	2" BSP		299	261	244	215	168
15	20	30	V6	2" BSP		309	270	252	222	174
15	20	31	V6	2" BSP		319	279	260	229	180
15	20	32	V6	2" BSP		330	288	269	237	186
15	20	33	V6	2" BSP		340	297	277	244	191
15	20	34	V6	2" BSP		350	306	286	252	197
18.5	25	35	V6	2" BSP	361	315	294	259	203	
18.5	25	36	V6	2" BSP	371	324	302	266	209	
18.5	25	37	V6	2" BSP	381	333	311	274	215	
18.5	25	38	V6	2" BSP	391	342	319	281	220	
18.5	25	39	V6	2" BSP	402	351	328	289	226	
18.5	25	40	V6	2" BSP	412	360	336	296	232	
18.5	25	41	V6	2" BSP	422	369	344	303	238	
18.5	25	42	V6	2" BSP	433	378	353	311	244	
22	30	43	V6	2" BSP	443	387	361	318	249	
22	30	44	V6	2" BSP	453	396	370	326	255	

DSP6MFF12, 50Hz

ISO 9906, Grade-3B

Dimensions & Weights



Model Name	Specification			
	D (mm)	L (mm)	Pump Weight Kg.	Weight (incl. pkg.) Kg.
DSP6MFF12 - 1	144	331	8	10
DSP6MFF12 - 2	144	392	9	11
DSP6MFF12 - 3	144	452	10	12
DSP6MFF12 - 4	144	513	12	14
DSP6MFF12 - 5	144	573	13	15
DSP6MFF12 - 6	144	634	14	16
DSP6MFF12 - 7	144	694	15	17
DSP6MFF12 - 8	144	755	17	19
DSP6MFF12 - 9	144	815	18	20
DSP6MFF12 - 10	144	876	19	21
DSP6MFF12 - 11	144	936	20	23
DSP6MFF12 - 12	144	997	22	24
DSP6MFF12 - 13	144	1057	23	25
DSP6MFF12 - 14	144	1118	24	26
DSP6MFF12 - 15	144	1178	25	28
DSP6MFF12 - 16	144	1239	26	39
DSP6MFF12 - 17	144	1299	28	31
DSP6MFF12 - 19	144	1420	30	33
DSP6MFF12 - 20	144	1481	31	34
DSP6MFF12 - 21	144	1541	33	36
DSP6MFF12 - 25	144	1783	38	41
DSP6MFF12 - 26	144	1844	39	42
DSP6MFF12 - 27	144	1904	40	43
DSP6MFF12 - 28	144	1965	41	45
DSP6MFF12 - 29	144	2025	42	46
DSP6MFF12 - 30	144	2086	44	47
DSP6MFF12 - 31	144	2146	45	49
DSP6MFF12 - 32	144	2207	46	50
DSP6MFF12 - 33	144	2267	47	51
DSP6MFF12 - 34	144	2328	49	53
DSP6MFF12 - 35	144	2388	50	54
DSP6MFF12 - 36	144	2449	51	55
DSP6MFF12 - 37	144	2509	52	56
DSP6MFF12 - 38	144	2570	53	57
DSP6MFF12 - 39	144	2630	55	59
DSP6MFF12 - 40	144	2691	56	60
DSP6MFF12 - 41	144	2751	57	62
DSP6MFF12 - 42	144	2812	58	63
DSP6MFF12 - 43	144	2872	60	64
DSP6MFF12 - 44	144	2933	61	65

G: Available Outlet Size BSP 2.5"

D: With Cable Guard

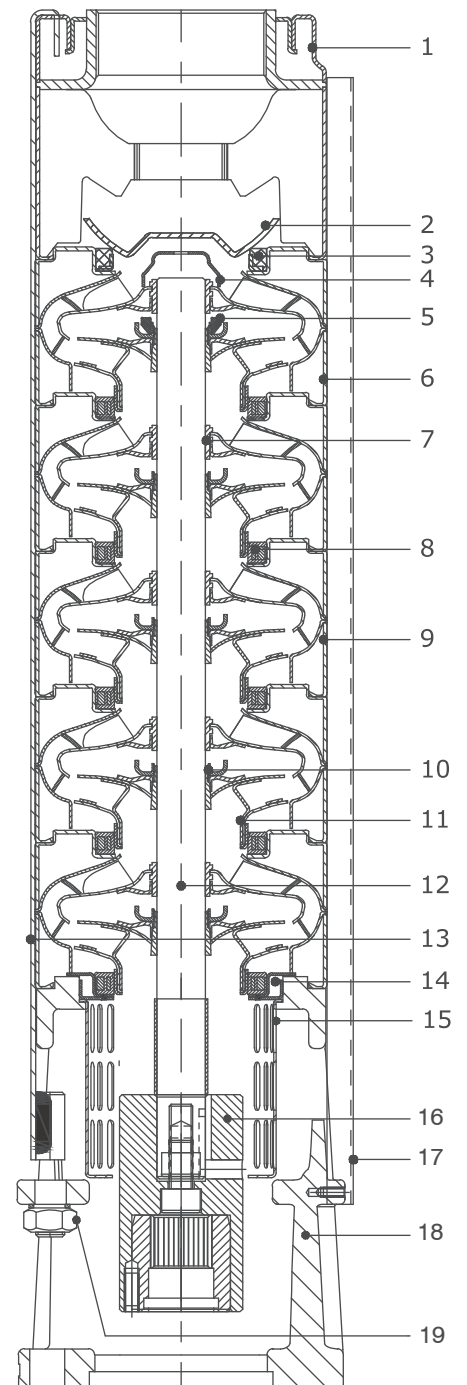
DP9 -01 to DP9 -44 Pumps Are Also Available In 4" Joining

6"

DSP6MFF17 SERIES PUMP DESIGN

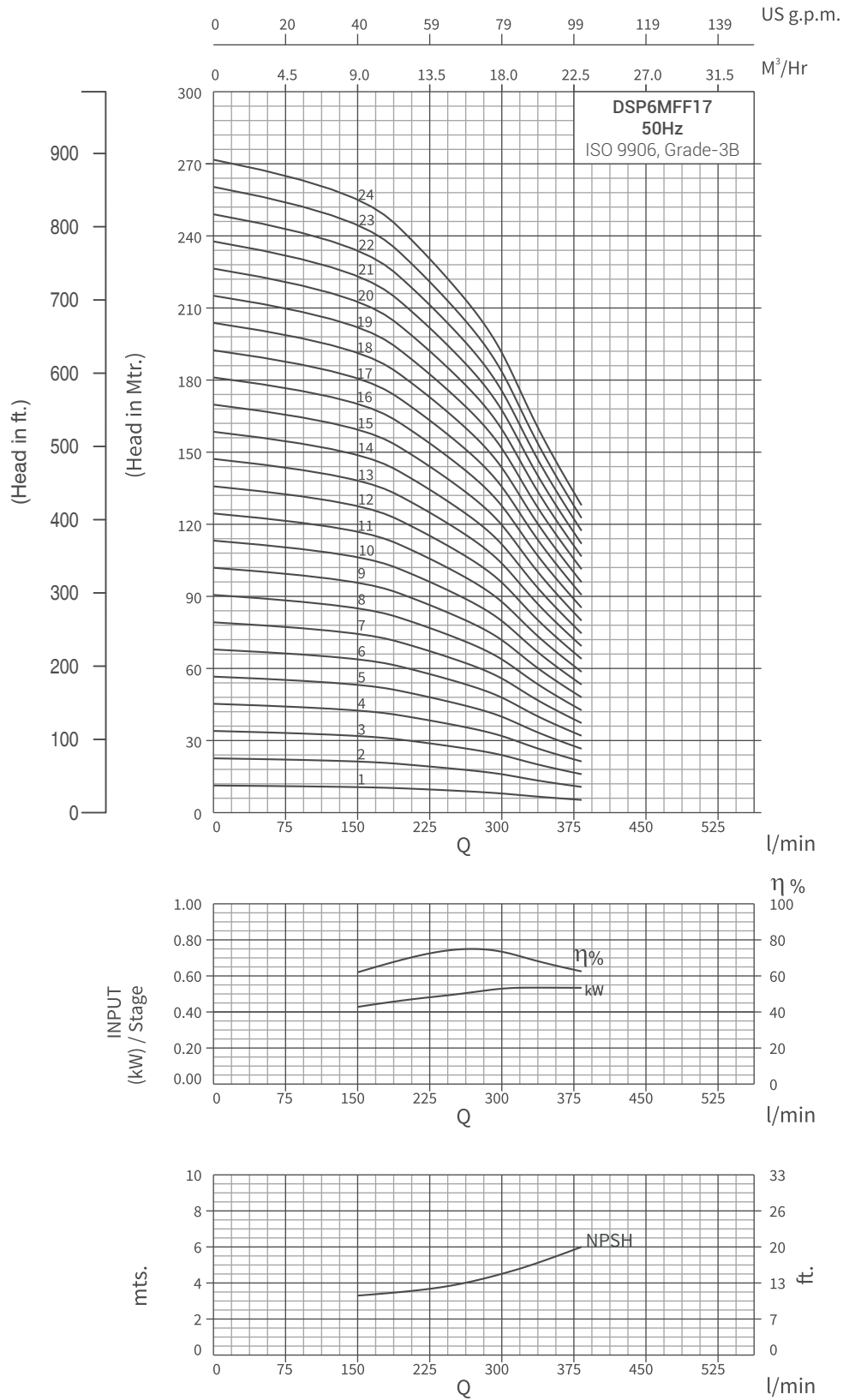
Material specification

No.	PART NAME	MATERIAL
1	N.R.V. 2.5"	SS AISI 304
2	VALVE	SS AISI 304
3	VALVE SEAT	N.B.R. + S.S. AISI 304
4	TOP CAP	SS AISI 304
5	SPACING WASHER	25% CFT
6	INTERMEDIATE CHAMBER TOP	SS AISI 304
7	BEARING BUSH	N.B.R.
8	NECKRING	N.B.R. + NYLON
9	INTERMEDIATE CHAMBER	SS AISI 304
10	COLLET & COLLET NUT	SS AISI 304
11	IMPELLER	SS AISI 304
12	PUMP SHAFT	SS AISI 431
13	CLAMPING STRIP	SS AISI 304
14	SUCTION CONNECTOR	SS AISI 304
15	STRAINER	SS AISI 304
16	NEMA COUPLING	SS AISI 304
17	CABLE GUARD	SS AISI 304
18	SUCTION	SS AISI 304
19	HEX NUT	A2-70 (316)



DSP6MFF17, 50Hz

ISO 9906, Grade-3B



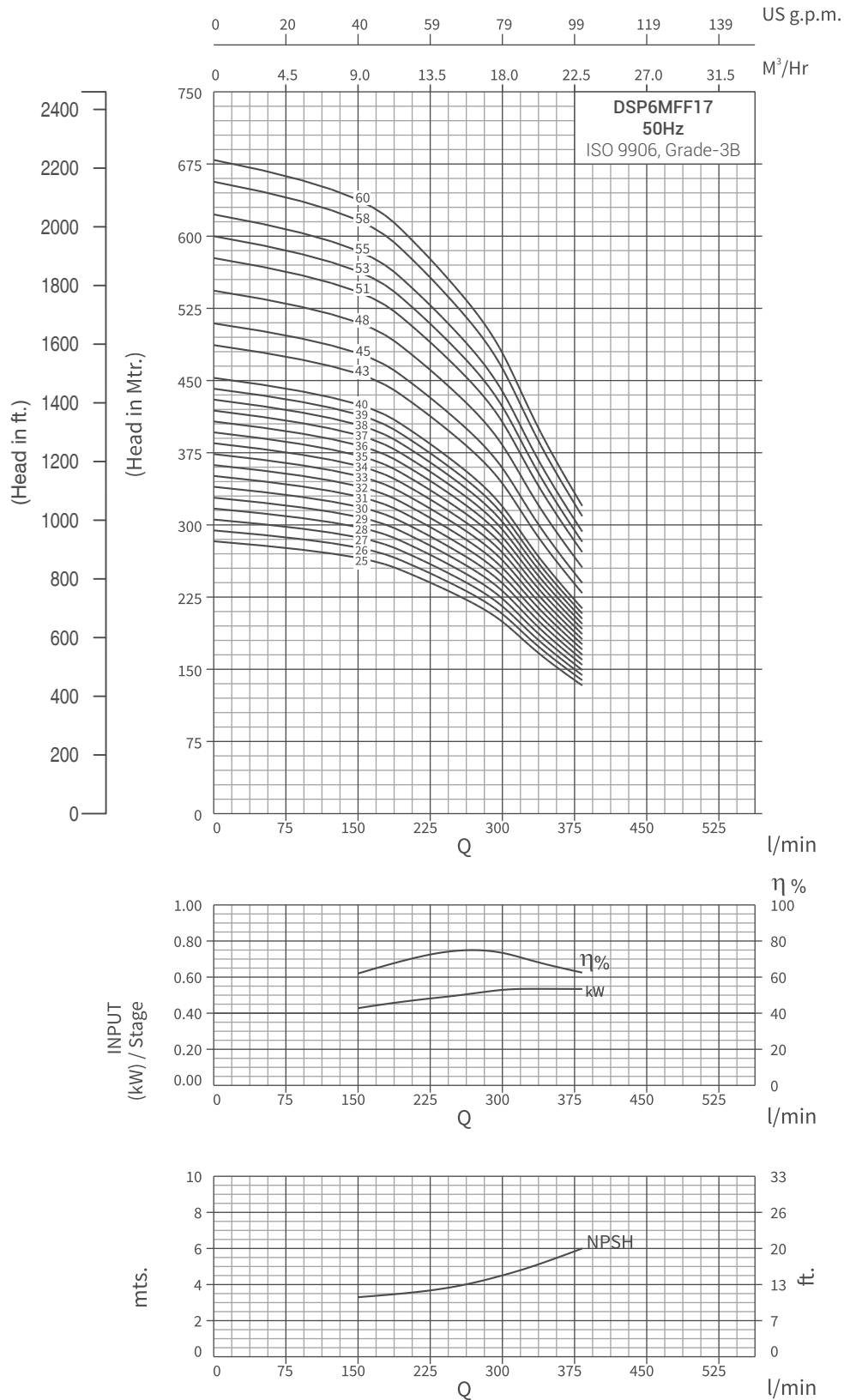
DSP6MFF17, 50Hz

ISO 9906, Grade-3B

kW	HP	Stage	Motor Joinings	Outlet Size	Head in Mtrs.	Discharge						
						m ³ /h	0	6	12	15	18	21
						lpm	0	100	200	250	300	350
0.55	0.75	1	V-6	2½" BSP	11	10	9	8	7	5		
1.1	1.5	2	V-6	2½" BSP	22	22	20	18	15	11		
2.2	3	3	V-6	2½" BSP	34	33	29	26	22	17		
2.2	3	4	V-6	2½" BSP	45	44	39	35	30	23		
3	4	5	V-6	2½" BSP	56	55	49	44	37	29		
3.7	5	6	V-6	2½" BSP	67	66	59	53	44	34		
4.5	6	7	V-6	2½" BSP	67	66	59	53	44	34		
5.5	7.5	8	V-6	2½" BSP	78	77	69	62	52	40		
5.5	7.5	9	V-6	2½" BSP	90	88	78	70	59	46		
5.5	7.5	10	V-6	2½" BSP	101	99	88	79	67	51		
7.5	10	11	V-6	2½" BSP	112	110	98	88	74	57		
7.5	10	12	V-6	2½" BSP	123	121	108	97	81	63		
7.5	10	13	V-6	2½" BSP	134	132	118	106	89	68		
9.3	12.5	14	V-6	2½" BSP	146	143	127	114	96	74		
9.3	12.5	15	V-6	2½" BSP	157	154	137	123	104	80		
9.3	12.5	16	V-6	2½" BSP	168	165	147	132	111	86		
9.3	12.5	17	V-6	2½" BSP	179	176	157	141	118	91		
9.3	12.5	18	V-6	2½" BSP	190	187	167	150	126	97		
11	15	19	V-6	2½" BSP	202	198	176	158	133	103		
11	15	20	V-6	2½" BSP	213	209	186	167	141	108		
13	17.5	21	V-6	2½" BSP	224	220	196	176	148	114		
13	17.5	22	V-6	2½" BSP	235	231	206	185	155	120		
13	17.5	23	V-6	2½" BSP	246	242	216	194	163	125		
13	17.5	24	V-6	2½" BSP	258	253	225	202	170	131		
15	20	25	V-6	2½" BSP	269	264	235	211	178	137		
15	20	26	V-6	2½" BSP	280	275	245	220	185	143		
15	20	27	V-6	2½" BSP	291	286	255	229	192	148		
18.5	25	28	V-6	2½" BSP	302	297	265	238	200	154		
18.5	25	29	V-6	2½" BSP	314	308	274	246	207	160		
18.5	25	30	V-6	2½" BSP	325	319	284	255	215	165		
18.5	25	31	V-6	2½" BSP	336	330	294	264	222	171		
18.5	25	32	V-6	2½" BSP	347	341	304	273	229	177		
18.5	25	33	V-6	2½" BSP	358	352	314	282	237	182		
22	30	34	V-6	2½" BSP	370	363	323	290	244	188		
22	30	35	V-6	2½" BSP	381	374	333	299	252	194		
22	30	36	V-6	2½" BSP	392	385	343	308	259	200		
22	30	37	V-6	2½" BSP	403	396	353	317	266	205		
22	30	38	V-6	2½" BSP	414	407	363	326	274	211		
22	30	39	V-6	2½" BSP	426	418	372	334	281	217		
22	30	40	V-6	2½" BSP	437	429	382	343	289	222		

DSP6MFF17, 50Hz

ISO 9906, Grade-3B



DSP6MFF17, 50Hz

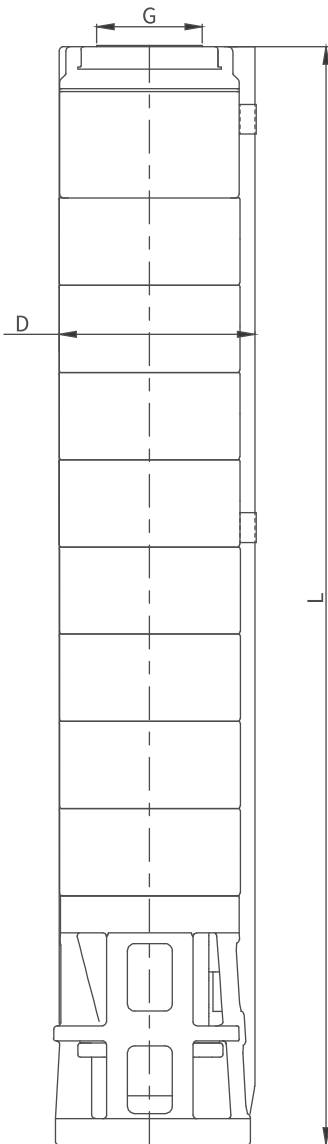
ISO 9906, Grade-3B

kW	HP	Stage	Motor Joinings	Outlet Size	Discharge						
					m ³ /h	0	6	12	15	18	21
					lpm	0	100	200	250	300	350
26	35	43	V-6	2½" BSP	Head in Mtrs.	466	433	394	350	288	229
26	35	45	V-6	2½" BSP		487	453	412	366	302	240
26	35	48	V-8	2½" BSP		520	483	440	390	322	256
30	40	51	V-8	2½" BSP		552	513	467	415	342	272
30	40	53	V-8	2½" BSP		574	533	485	431	355	282
37	50	55	V-8	2½" BSP		596	553	504	447	368	293
37	50	58	V-8	2½" BSP		628	583	531	472	389	309
37	50	60	V-8	2½" BSP		650	604	550	488	402	320

DSP6MFF17, 50Hz

ISO 9906, Grade-3B

Dimensions & Weights



Model Name	Specification			
	D (mm)	L (mm)	Pump Weight Kg.	Weight (incl. pkg.) Kg.
DSP6MFF17 -01	144	331	8	10
DSP6MFF17 -02	144	392	9	11
DSP6MFF17 -03	144	452	11	12
DSP6MFF17 -04	144	513	12	13
DSP6MFF17 -05	144	573	13	15
DSP6MFF17 -06	144	634	14	16
DSP6MFF17 -07	144	694	16	18
DSP6MFF17 -08	144	755	17	19
DSP6MFF17 -09	144	815	18	20
DSP6MFF17 -10	144	876	19	21
DSP6MFF17 -11	144	936	21	23
DSP6MFF17 -12	144	997	22	24
DSP6MFF17 -13	144	1057	23	26
DSP6MFF17 -14	144	1118	24	27
DSP6MFF17 -15	144	1178	26	28
DSP6MFF17 -16	144	1239	27	30
DSP6MFF17 -17	144	1299	28	31
DSP6MFF17 -18	144	1360	29	32
DSP6MFF17 -19	144	1420	31	34
DSP6MFF17 -20	144	1481	32	35
DSP6MFF17 -21	144	1541	33	37
DSP6MFF17 -22	144	1602	34	38
DSP6MFF17 -23	144	1662	36	39
DSP6MFF17 -24	144	1723	37	40
DSP6MFF17 -25	144	1783	38	42
DSP6MFF17 -26	144	1844	39	43
DSP6MFF17 -27	144	1904	41	44
DSP6MFF17 -28	144	1965	42	45
DSP6MFF17 -29	144	2025	43	47
DSP6MFF17 -30	144	2086	44	48
DSP6MFF17 -31	144	2146	46	50
DSP6MFF17 -32	144	2207	47	51
DSP6MFF17 -33	144	2267	48	52
DSP6MFF17 -34	144	2328	49	53
DSP6MFF17 -35	144	2388	51	55
DSP6MFF17 -36	144	2449	52	56
DSP6MFF17 -37	144	2509	53	57
DSP6MFF17 -38	144	2570	54	58
DSP6MFF17 -39	144	2630	56	60
DSP6MFF17 -40	144	2691	57	61

G : Available Outlet Size BSP 2.5"/ 3"

D: With Cable Guard

DP17-01 to DP17-13 pumps are also available in 4" joining

DP17-43, DP17 -45, DP17 -48, DP17 -51, DP17 -53,

DP17 -55, DP17 -58 & DP17 -60 pumps are available in

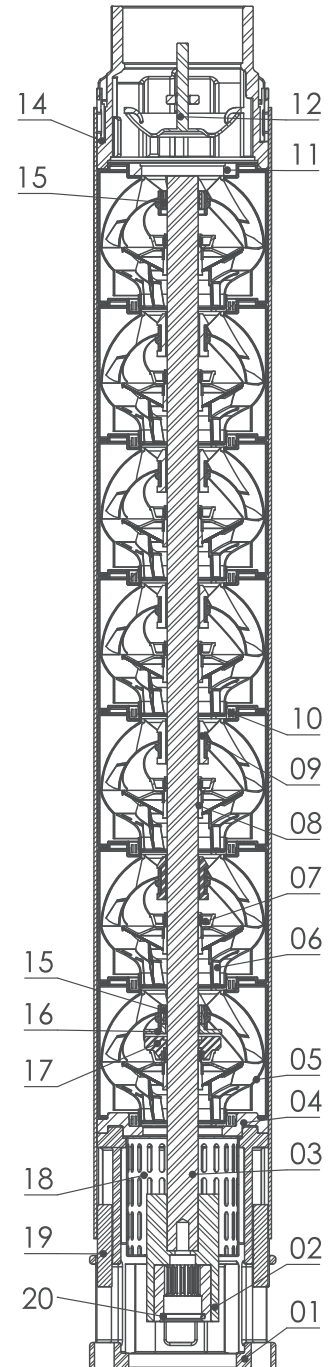
6" joining with mounted sleeve & with outlet size BSP 3.0"

6"

DSP6MFF30 SERIES PUMP DESIGN

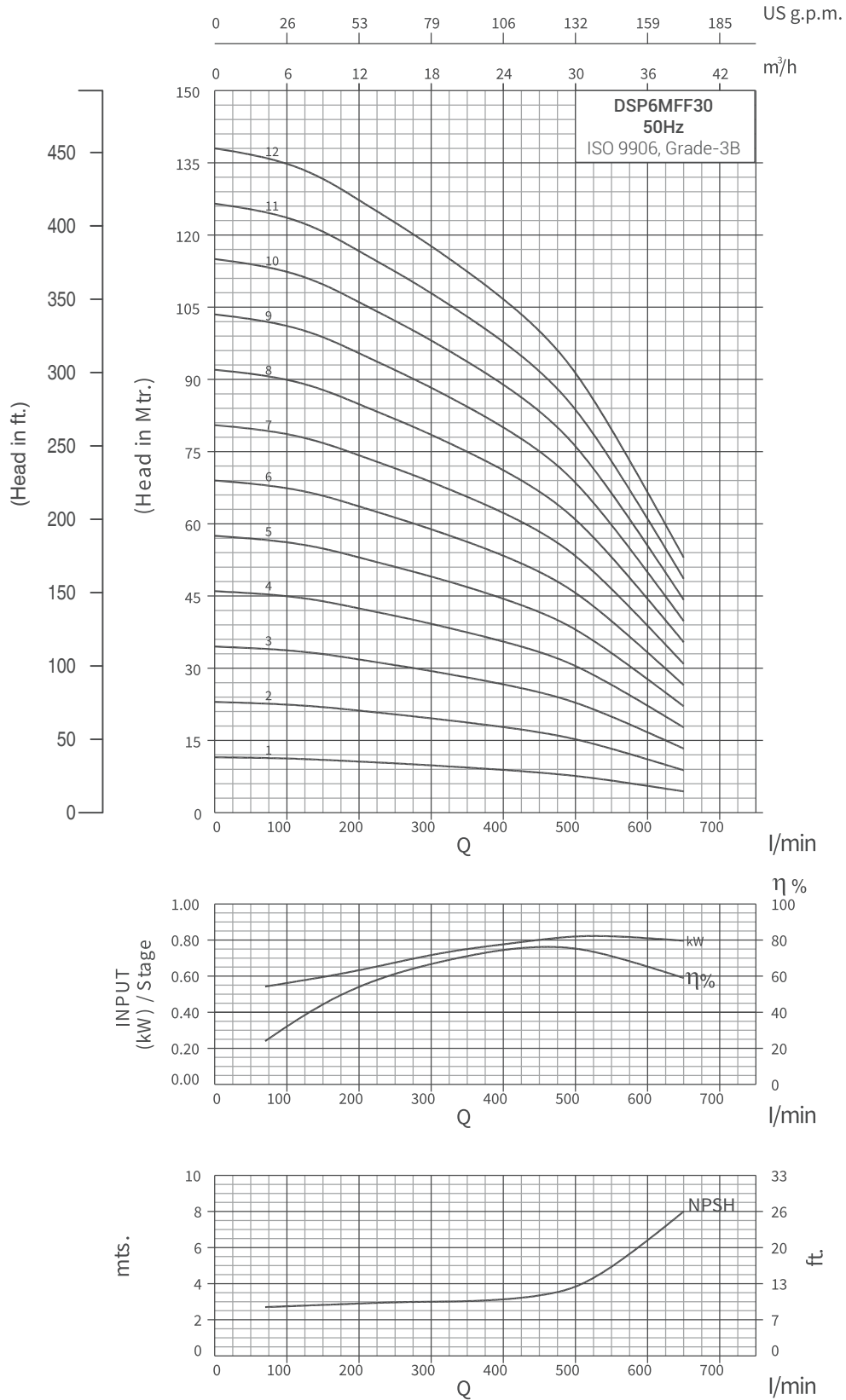
Material specification

No.	PART NAME	MATERIAL
01	SUCTION 6X6	SS AISI 304
02	COUPLING	SS AISI 304
03	SHAFT	SS AISI 431
04	SUCTION CONNECTOR	SS AISI 304
05	INTERMEDIATE CHAMBER	SS AISI 304
06	IMPELLER	SS AISI 304
07	COLLET NUT	SS AISI 304
08	COLLET	SS AISI 304
09	STAGE RUBBER BUSH	NBR
10	NECK RING	NBR+ NYLON66
11	VALVE SHEET	SS+RUBBER
12	VALVE	SS AISI 304
13	CABLE GUARD	SS AISI 304
14	DISCHARG	SS AISI 304
15	BEARING BUSH TOP&BOTTOM	NBR+SS AISI 304
16	STOP RING	SS AISI 304
17	SPACING WASHER	CFT 25%
18	STARINER	SS AISI 304
19	CLAMPING STRIP	SS AISI 304
20	O RING	NITRIAL RUBBER



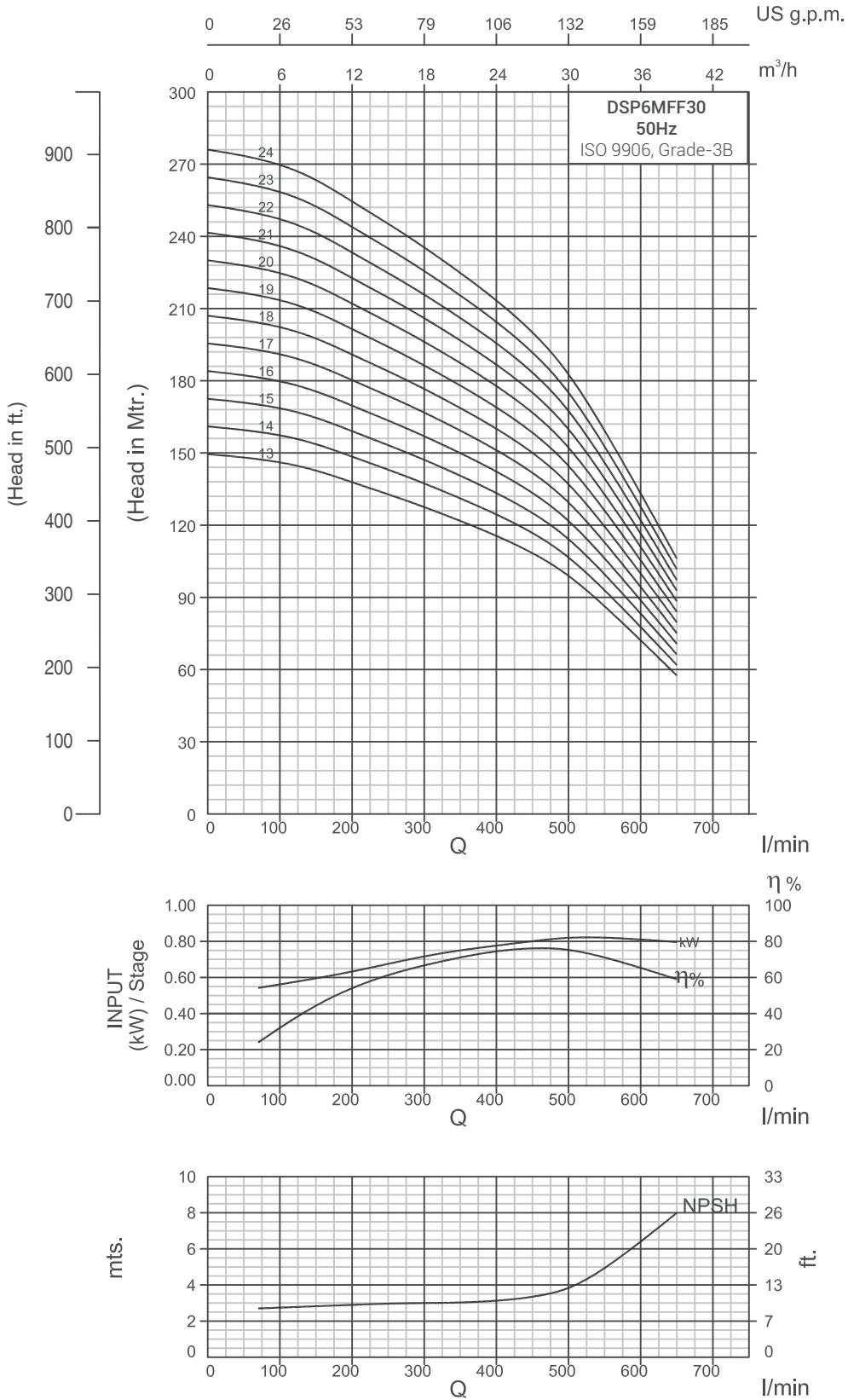
DSP6MFF30, 50Hz

ISO 9906, Grade-3B



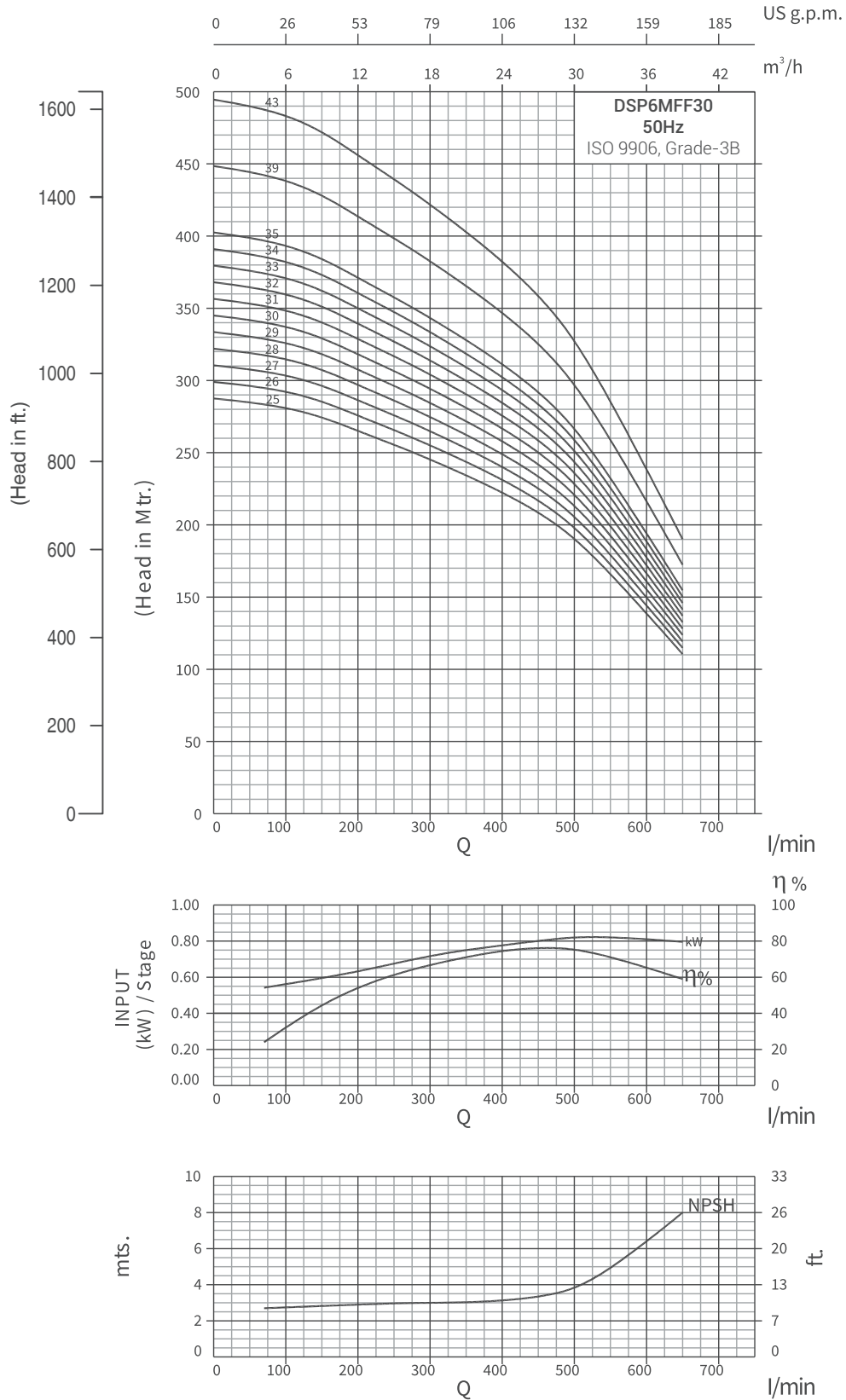
DSP6MFF30, 50Hz

ISO 9906, Grade-3B



DSP6MFF30, 50Hz

ISO 9906, Grade-3B



Performance Chart

DSP6MFF30, 50Hz

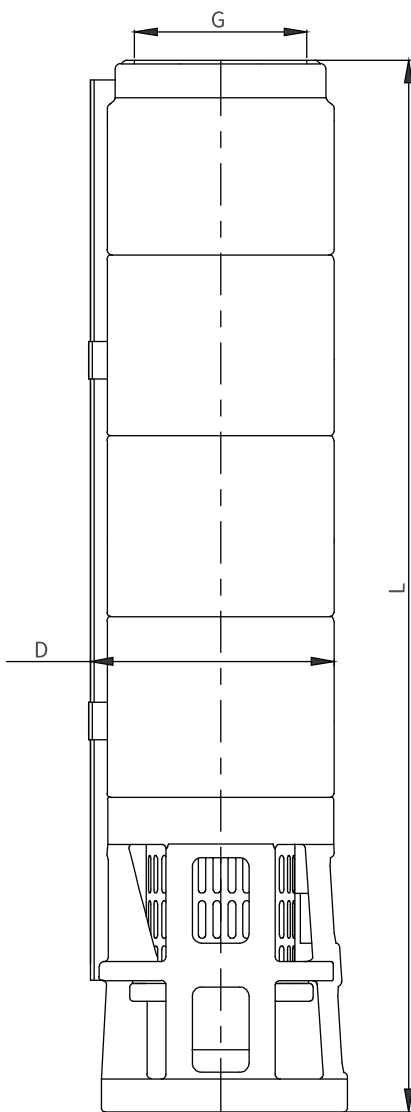
ISO 9906, Grade-3B

kW	HP	Stage	Motor Joinings	Outlet Size		Discharge						
						m ³ /h	0	12	24	30	36	39
						lpm	0	200	400	500	600	650
1.1	1.5	1	V-6	3"BSP	Head in Mtrs.	11	10	8	7	5	4	
2.2	3	2	V-6	3"BSP		23	21	18	15	11	8	
3	4	3	V-6	3"BSP		34	32	26	23	16	13	
3.7	5	4	V-6	3"BSP		46	42	35	30	22	17	
5.5	7.5	5	V-6	3"BSP		57	53	44	38	27	21	
5.5	7.5	6	V-6	3"BSP		68	64	53	45	32	25	
7.5	10	7	V-6	3"BSP		80	74	62	53	38	29	
7.5	10	8	V-6	3"BSP		91	85	70	60	43	34	
9.3	12.5	9	V-6	3"BSP		103	95	79	68	49	38	
9.3	12.5	10	V-6	3"BSP		114	106	88	75	54	42	
9.3	12.5	11	V-6	3"BSP		125	117	97	83	59	46	
11	15	12	V-6	3"BSP		137	127	106	90	65	50	
11	15	13	V-6	3"BSP		148	138	114	98	70	55	
13	17.5	14	V-6	3"BSP		160	148	123	105	76	59	
13	17.5	15	V-6	3"BSP		171	159	132	113	81	63	
15	20	16	V-6	3"BSP		182	170	141	120	86	67	
15	20	17	V-6	3"BSP		194	180	150	128	92	71	
18.5	25	18	V-6	3"BSP		205	191	158	135	97	76	
18.5	25	19	V-6	3"BSP		217	201	167	143	103	80	
18.5	25	20	V-6	3"BSP		228	212	176	150	108	84	
18.5	25	21	V-6	3"BSP		239	223	185	158	113	88	
22	30	22	V-6	3"BSP		251	233	194	165	119	92	
22	30	23	V-6	3"BSP		262	244	202	173	124	97	
22	30	24	V-6	3"BSP		274	254	211	180	130	101	
22	30	25	V-6	3"BSP		285	265	220	188	135	105	
22	30	26	V-6	3"BSP		296	276	229	195	140	109	
26	35	27	V-6	3"BSP		308	286	238	203	146	113	
26	35	28	V-6	3"BSP		319	297	246	210	151	118	
26	35	29	V-6	3"BSP		331	307	255	218	157	122	
26	35	30	V-6	3"BSP		342	318	264	225	162	126	
30	40	31	V-6	3"BSP		353	329	273	233	167	130	
30	40	32	V-6	3"BSP		365	339	282	240	173	134	
30	40	33	V-6	3"BSP		376	350	290	248	178	139	
30	40	34	V-6	3"BSP	388	360	299	255	184	143		
30	40	35	V-6	3"BSP	399	371	308	263	189	147		
37	50	39	V-6	3"BSP	444	413	343	293	211	164		
37	50	43	V-6	3"BSP	489	455	378	323	252	181		

DSP6MFF30, 50Hz

ISO 9906, Grade-3B

Dimensions & Weights



Model Name	Specification			
	D (mm)	L (mm)	Pump Weight Kg.	Weight (incl. pkg.) Kg.
DSP6MFF30 -01	144	367	9	14
DSP6MFF30 -02	144	463	11	16
DSP6MFF30 -03	144	559	13	18
DSP6MFF30 -04	144	655	15	20
DSP6MFF30 -05	144	751	11	16
DSP6MFF30 -06	144	847	19	24
DSP6MFF30 -07	144	943	21	26
DSP6MFF30 -08	144	1039	23	28
DSP6MFF30 -09	144	1135	25	30
DSP6MFF30 -10	144	1231	27	32
DSP6MFF30 -11	144	1327	29	34
DSP6MFF30 -12	144	1423	31	36
DSP6MFF30 -13	144	1519	33	38
DSP6MFF30 -14	144	1615	35	40
DSP6MFF30 -15	144	1711	37	47
DSP6MFF30 -16	144	1807	39	49
DSP6MFF30 -17	144	1903	41	51
DSP6MFF30 -18	144	1999	43	53
DSP6MFF30 -19	144	2095	45	55
DSP6MFF30 -20	144	2191	47	57
DSP6MFF30 -21	144	2287	49	59
DSP6MFF30 -22	144	2383	51	63
DSP6MFF30 -23	144	2479	53	65
DSP6MFF30 -24	144	2575	55	67
DSP6MFF30 -25	144	2671	57	69
DSP6MFF30 -26	144	2767	59	71
DSP6MFF30 -27	144	2863	61	73
DSP6MFF30 -28	144	2959	63	75
DSP6MFF30 -29	144	3055	65	77
DSP6MFF30 -30	144	3151	67	79
DSP6MFF30 -31	144	3247	69	81
DSP6MFF30 -32	144	3343	71	83
DSP6MFF30 -33	144	3439	73	85
DSP6MFF30 -34	144	3535	75	87
DSP6MFF30 -35	144	3631	77	89
DSP6MFF30 -39	144	4450	105	117
DSP6MFF30 -43	144	4834	113	125

G: Available Outlet Size BSP 2.5" & 3.0"

D: With Cable Guard

DP30 -01 to DP30 -8 pumps are also available in 4" joining.

DP30 -39 & DP30 -43 pumps are also available with mounted sleeve in 6" joining.

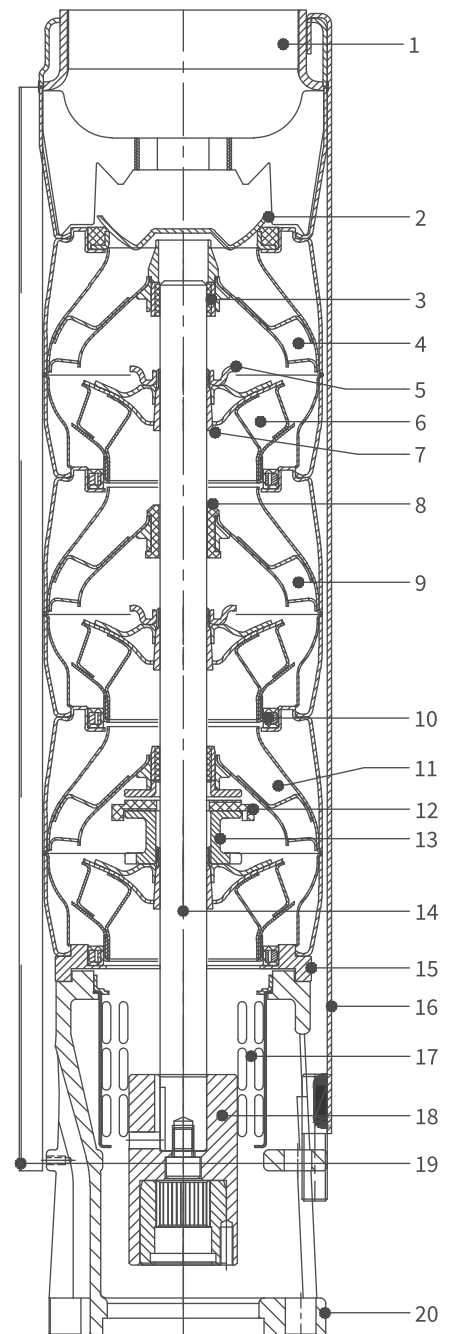
DP30 -46, DP30 -49, DP30 -52 & DP30 -54 pumps are also available with mounted sleeve in 8" joining.

6"

DSP6MFF46 & DSP6MFF60 SERIES PUMP DESIGN

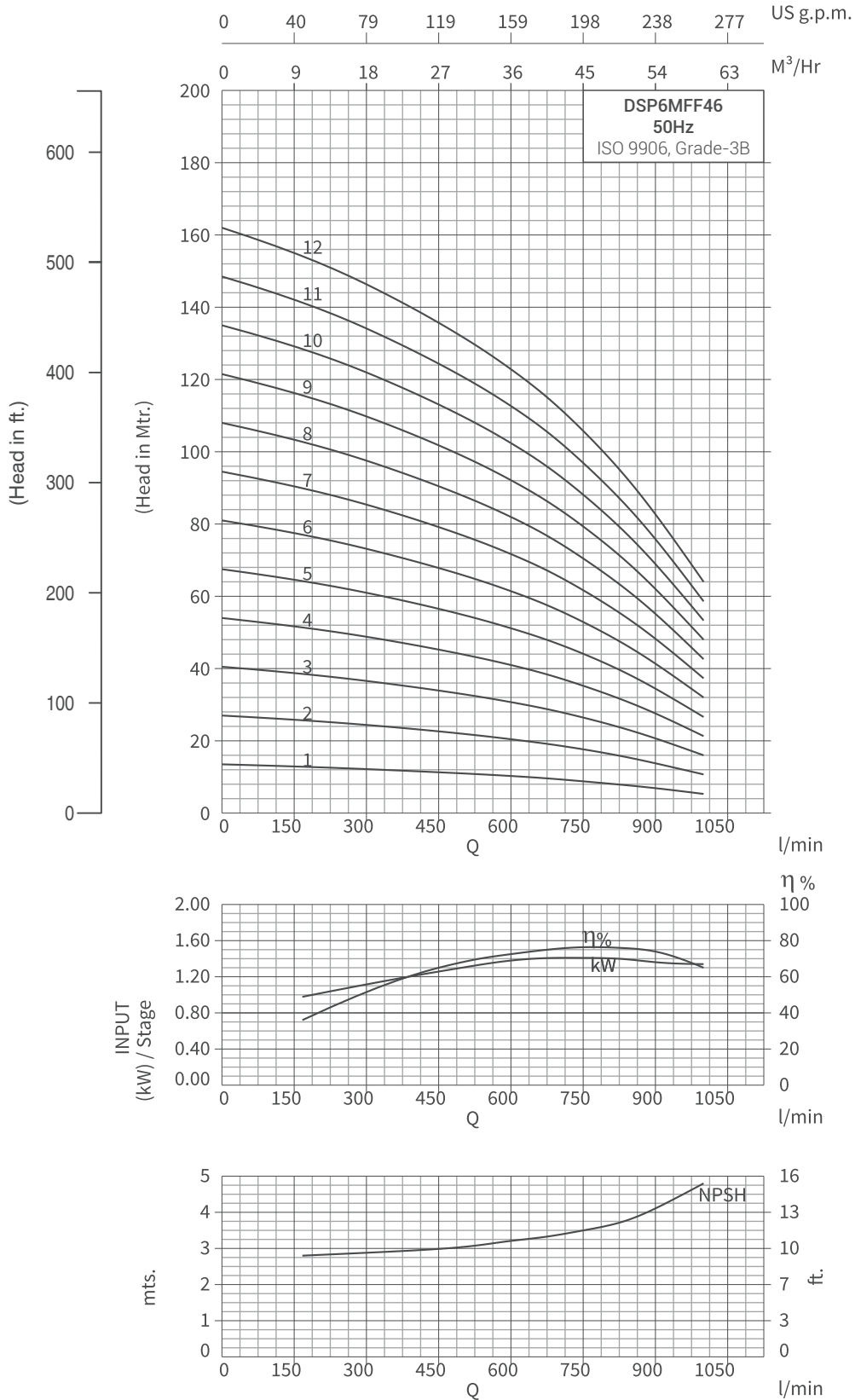
Material specification

No.	PART NAME	MATERIAL
1	N.R.V. 4.0"	S.S AISI 304
2	VALVE	S.S AISI 304
3	TOP & FIRST BEARING BUSH	N.B.R. + S.S AISI 304
4	INTERMEDIATE CHAMBER TOP	S.S AISI 304
5	COLLET NUT	S.S AISI 304
6	IMPELLER	S.S AISI 304
7	COLLET	S.S AISI 304
8	BEARING BUSH	NBR
9	INTERMEDIATE CHAMBER STAGE	S.S AISI 304
10	NECKRING	N.B.R. + NYLON
11	INTERMEDIATE CHAMBER 1st	S.S AISI 304
12	SPACING WASHER	25% CFT
13	FIRST STAGE NUT	S.S AISI 304
14	PUMP SHAFT	S.S. AISI 431
15	CONNECTOR	S.S AISI 304
16	CLAMPING STRIP	S.S AISI 304
17	STRAINER	S.S AISI 304
18	NEMA COUPLING	S.S AISI 304
19	CABLE GUARD	S.S AISI 304
20	SUCTION	S.S AISI 304



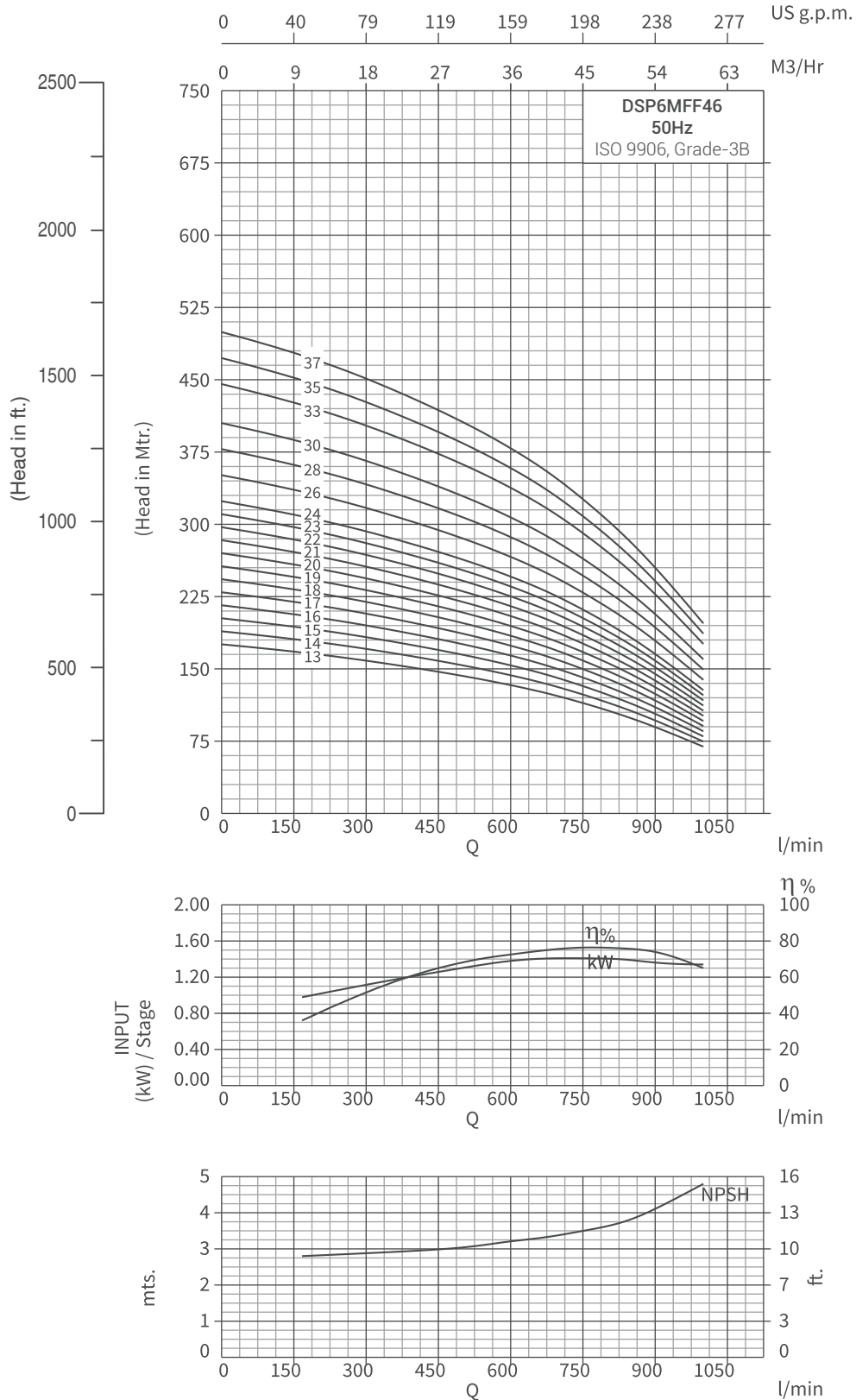
DSP6MFF46, 50Hz

ISO 9906, Grade-3B



DSP6MFF46, 50Hz

ISO 9906, Grade-3B



DSP6MFF46, 50Hz

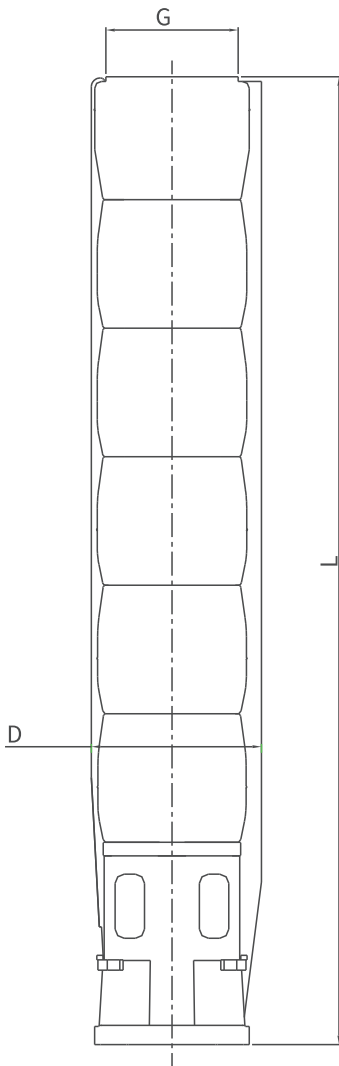
ISO 9906, Grade-3B

kW	HP	Stage	Motor Joinings	Outlet Size	Head in Mtrs.	Discharge					
						m ³ /h	0	24	36	48	60
						lpm	0	400	600	800	1000
1.1	1.5	1-B	V-6	4"BSP	9	8	7	4	1		
2.2	3	1	V-6	4"BSP	13	11	10	8	5		
2.2	3	2-BB	V-6	4"BSP	19	16	14	9	1		
3	4	2	V-6	4"BSP	27	23	20	16	10		
3.7	5	3-C	V-6	4"BSP	36	30	26	19	10		
5.5	7.5	3	V-6	4"BSP	40	35	30	24	15		
5.5	7.5	4-C	V-6	4"BSP	49	42	36	27	15		
7.5	10	4	V-6	4"BSP	54	46	40	32	20		
7.5	10	5	V-6	4"BSP	67	58	50	41	25		
9.3	12.5	6	V-6	4"BSP	80	70	60	49	30		
11	15	7	V-6	4"BSP	94	81	70	57	35		
11	15	8-C	V-6	4"BSP	103	88	76	60	35		
13	17.5	8	V-6	4"BSP	107	93	80	65	38		
13	17.5	9-C	V-6	4"BSP	116	100	86	68	40		
15	20	9	V-6	4"BSP	121	104	90	73	45		
15	20	10	V-6	4"BSP	134	116	100	81	50		
18.5	25	11	V-6	4"BSP	147	128	110	89	55		
18.5	25	12	V-6	4"BSP	161	139	120	97	60		
22	30	13	V-6	4"BSP	174	151	130	105	65		
22	30	14	V-6	4"BSP	188	162	140	113	70		
22	30	15	V-6	4"BSP	201	174	150	122	75		
26	35	16	V-6	4"BSP	214	186	160	130	80		
26	35	17	V-6	4"BSP	228	197	170	138	85		
30	40	18	V-6	4"BSP	241	209	180	146	90		
30	40	19	V-6	4"BSP	255	220	190	154	95		
30	40	20	V-6	4"BSP	268	232	200	162	100		
37	50	21	V-6	4"BSP	281	244	210	170	105		
37	50	22	V-6	4"BSP	295	255	220	178	110		
37	50	23	V-6	4"BSP	308	267	230	186	115		
37	50	24	V-8	4"BSP	322	278	240	194	120		
45	60	26	V-8	4"BSP	349	301	260	210	130		
45	60	28	V-8	4"BSP	376	324	280	226	140		
45	60	30	V-8	4"BSP	403	347	300	242	150		
55	75	33	V-8	4"BSP	443	382	330	266	165		
55	75	35	V-8	4"BSP	470	405	350	282	175		
63	85	37	V-8	4"BSP	497	428	370	298	185		

DSP6MFF46, 50Hz

ISO 9906, Grade-3B

Dimensions & Weights



Model Name	Specification			
	D (mm)	L (mm)	Pump Weight Kg.	Weight (incl. pkg.) Kg.
DSP6MFF46 -01	147	113	12	14
DSP6MFF46 -02	147	509	14	15
DSP6MFF46 -03	147	622	16	17
DSP6MFF46 -04	147	735	18	21
DSP6MFF46 -05	147	848	20	23
DSP6MFF46 -06	147	961	18	24
DSP6MFF46 -07	147	1074	20	25
DSP6MFF46 -08	147	1187	22	28
DSP6MFF46 -09	147	1300	24	29
DSP6MFF46 -10	147	1413	26	34
DSP6MFF46 -11	147	1526	28	36
DSP6MFF46 -12	147	1639	32	42
DSP6MFF46 -13	147	1752	34	44
DSP6MFF46 -14	147	1865	36	46
DSP6MFF46 -15	147	1978	38	48
DSP6MFF46 -16	147	2091	40	50
DSP6MFF46 -17	147	2204	42	52
DSP6MFF46 -18	147	2317	44	54
DSP6MFF46 -19	147	2430	46	56
DSP6MFF46 -20	147	2543	48	58
DSP6MFF46 -21	147	2656	55	60
DSP6MFF46 -22	147	2769	57	62
DSP6MFF46 -23	147	2882	60	65
DSP6MFF46 -24	147	2995	62	67

G : Available outlet size 3" & 4"

D:With cable Guard

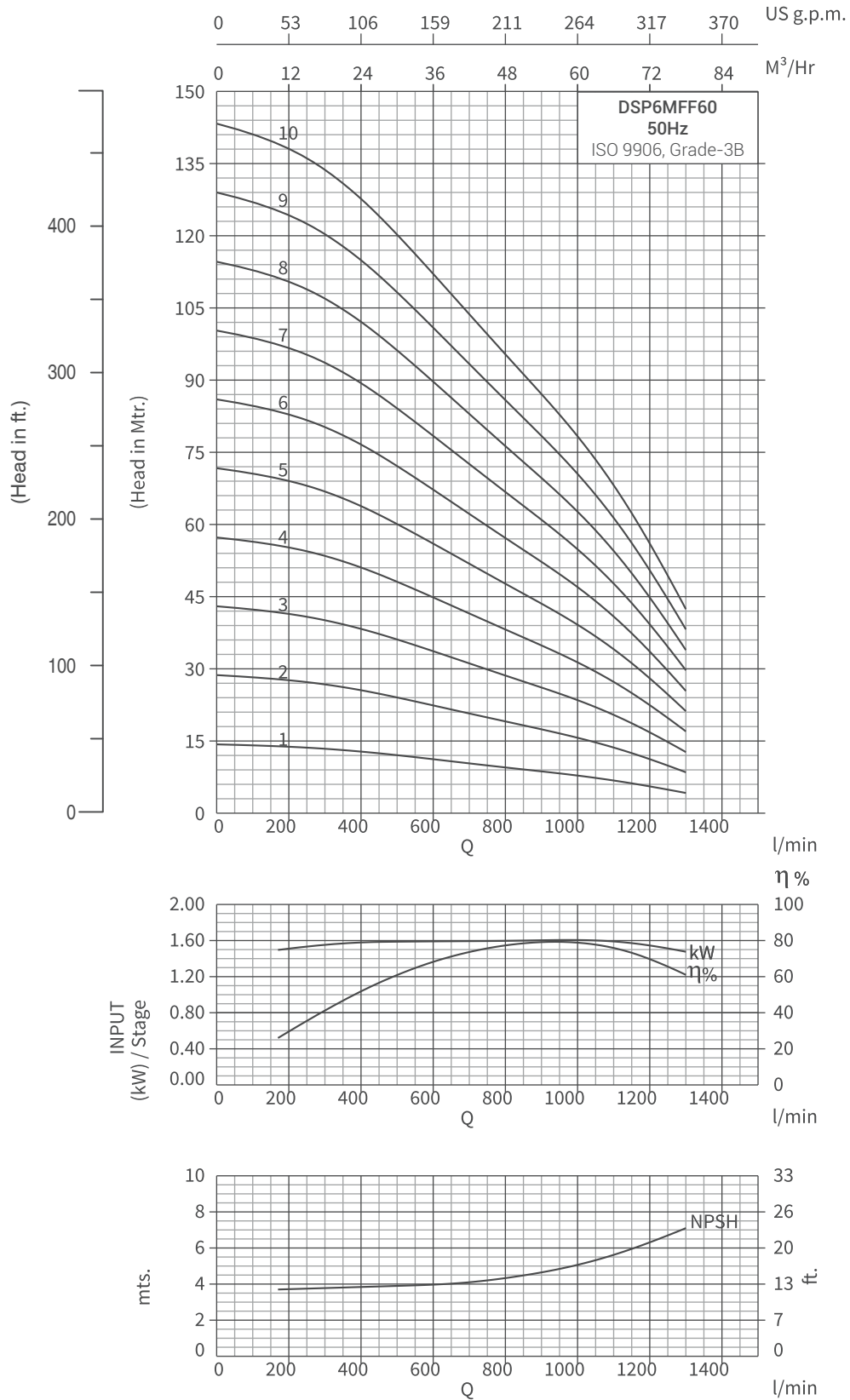
DP46 -1 to DP46 -5 pumps are also available in 4" Joining.

DP46 -26, DP46 -28, DP46 -30, DP46 -33, DP46 -35

& DP46 -37 pumps are available in 8" Joining with mounted sleeve.

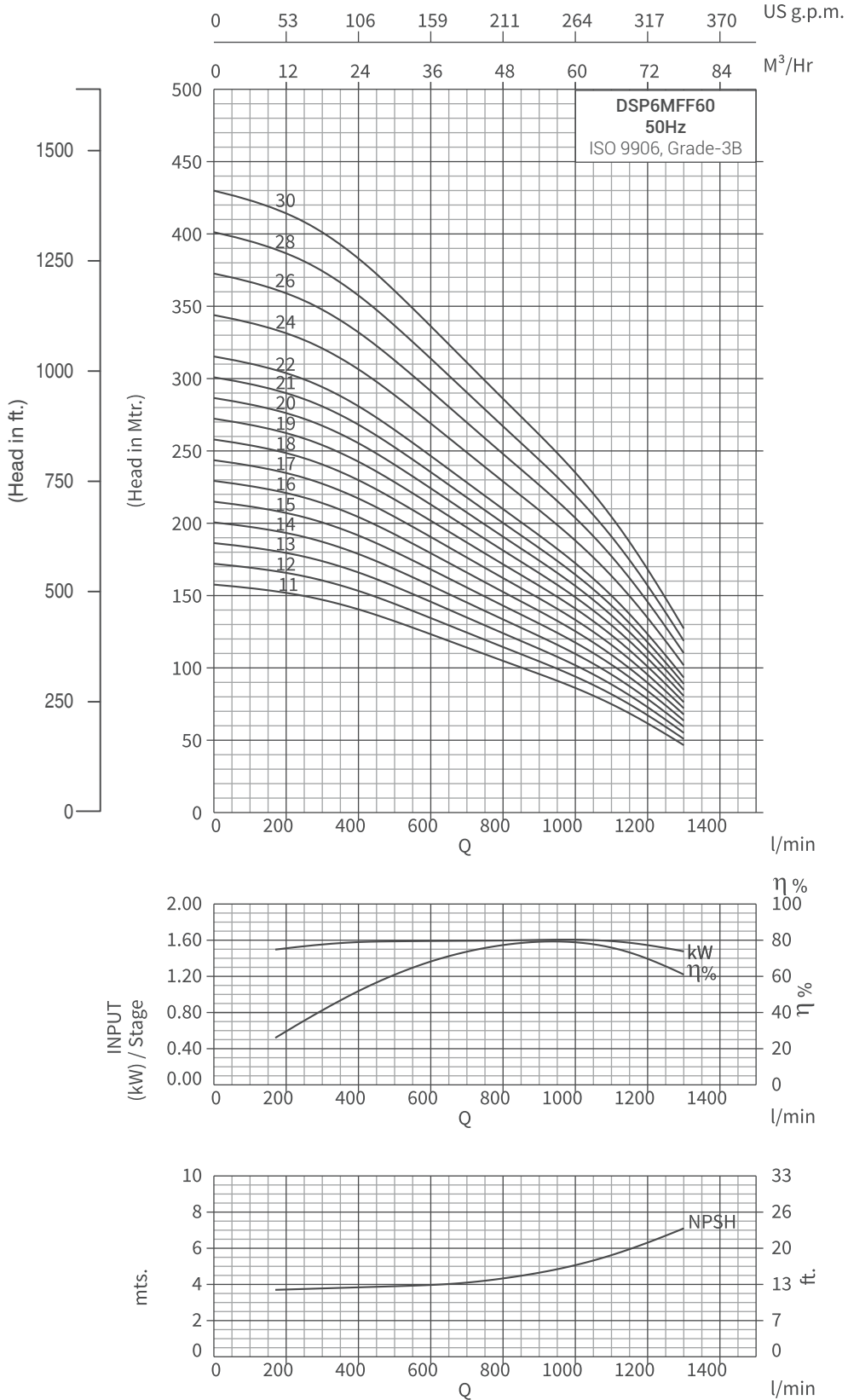
DSP6MFF60, 50Hz

ISO 9906, Grade-3B



DSP6MFF60, 50Hz

ISO 9906, Grade-3B



DSP6MFF60, 50Hz

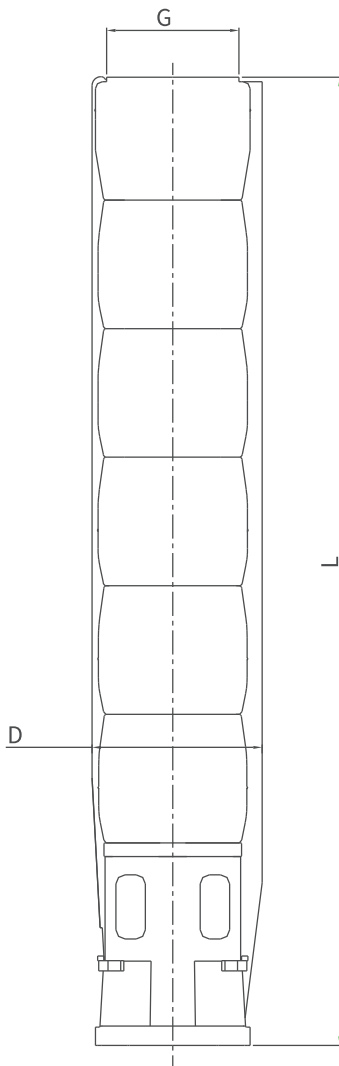
ISO 9906, Grade-3B

kW	HP	Stage	Motor Joinings	Outlet Size	Head in Mtrs.	Discharge						
						m ³ /h	0	24	36	48	60	72
						lpm	0	400	600	800	1000	1200
1.5	2	1-A	V-6	4'BSP	11	9	7	6	4	0		
2.2	3	1	V-6	4'BSP	14	12	11	9	7	5		
3	4	2-B	V-6	4'BSP	21	20	16	14	10	6		
3.7	5	2	V-6	4'BSP	28	26	22	19	15	11		
5.5	7.5	3	V-6	4'BSP	43	38	33	28	23	17		
7.5	10	4	V-6	4'BSP	57	51	44	38	31	22		
9.3	12.5	5	V-6	4'BSP	71	64	55	47	39	28		
11	15	6	V-6	4'BSP	85	77	66	56	46	33		
13	17.5	7	V-6	4'BSP	85	77	66	56	46	33		
13	17.5	8-B	V-6	4'BSP	99	90	77	66	54	39		
15	20	8	V-6	4'BSP	106	97	82	70	56	39		
15	20	9-B	V-6	4'BSP	114	102	88	75	62	44		
18.5	25	9	V-6	4'BSP	121	109	93	79	64	44		
18.5	25	10	V-6	4'BSP	128	115	99	85	69	50		
22	30	11	V-6	4'BSP	142	128	110	94	77	55		
22	30	12	V-6	4'BSP	156	141	121	103	85	61		
26	35	13	V-6	4'BSP	170	154	132	113	92	66		
26	35	14	V-6	4'BSP	185	166	143	122	100	72		
26	35	15	V-6	4'BSP	199	179	154	132	108	77		
30	40	16	V-6	4'BSP	213	192	165	141	116	83		
30	40	17	V-6	4'BSP	227	205	176	150	123	88		
30	40	18	V-8	4'BSP	241	218	187	160	131	94		
37	50	19	V-8	4'BSP	256	230	198	169	139	99		
37	50	20	V-8	4'BSP	270	243	209	179	146	105		
37	50	21	V-8	4'BSP	284	256	220	188	154	110		
45	60	22	V-8	4'BSP	298	269	231	197	162	116		
45	60	23	V-8	4" BSP	312	282	242	207	169	121		
45	60	24	V-8	4" BSP	327	294	253	216	177	127		
55	75	26	V-8	4" BSP	354	318	274	234	192	137		
55	75	28	V-8	4" BSP	381	342	295	252	207	147		
55	75	30	V-8	4" BSP	408	366	316	270	222	157		

DSP6MFF60, 50Hz

ISO 9906, Grade-3B

Dimensions & Weights



Model Name	Specification			
	D (mm)	L (mm)	Pump Weight Kg.	Weight (incl. pkg.) Kg.
DSP6MFF60 -01	147	113	12	14
DSP6MFF60 -02	147	509	14	15
DSP6MFF60 -03	147	622	16	17
DSP6MFF60 -04	147	735	18	21
DSP6MFF60 -05	147	848	20	23
DSP6MFF60 -06	147	961	18	24
DSP6MFF60 -07	147	1074	20	25
DSP6MFF60 -08	147	1187	22	28
DSP6MFF60 -09	147	1300	24	29
DSP6MFF60 -10	147	1413	26	34
DSP6MFF60 -11	147	1526	28	36
DSP6MFF60 -12	147	1639	32	42
DSP6MFF60 -13	147	1752	34	44
DSP6MFF60 -14	147	1865	36	46
DSP6MFF60 -15	147	1978	38	48
DSP6MFF60 -16	147	2091	40	50
DSP6MFF60 -17	147	2204	42	52
DSP6MFF60 -18	147	2317	44	54
DSP6MFF60 -19	147	2430	46	56
DSP6MFF60 -20	147	2543	48	58
DSP6MFF60 -21	147	2656	50	60

G: Available outlet size 3" & 4"

D: With cable Guard

DP60 -1 to DP60 -4 pumps are also available in 4" Joining.

DP60 -22, DP60 -24, DP60 -25, DP60 -28 &

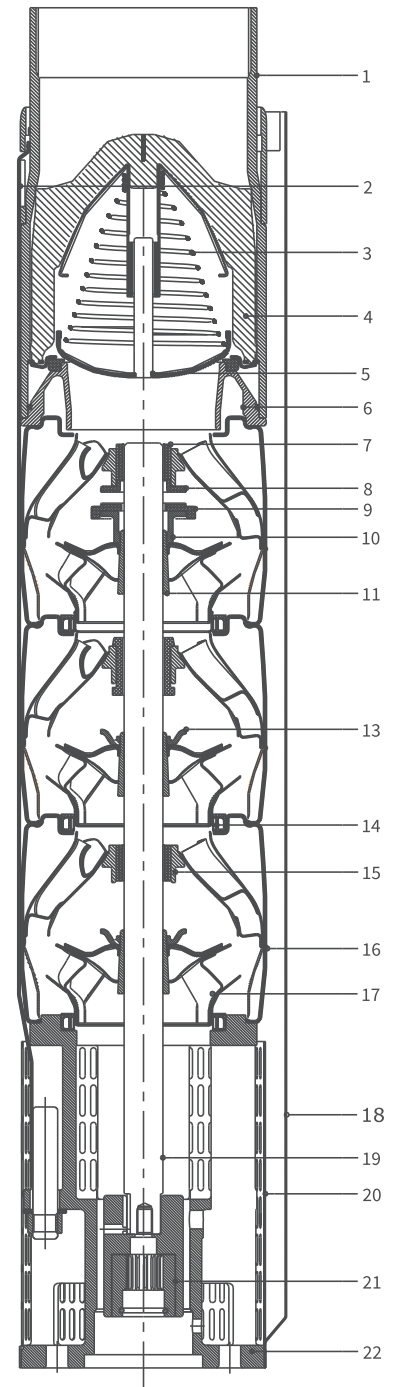
DP60 -30 pumps are available in 8" Joining.

8"

DSP8MFF77 & DSP8MFF95 SERIES PUMP DESIGN

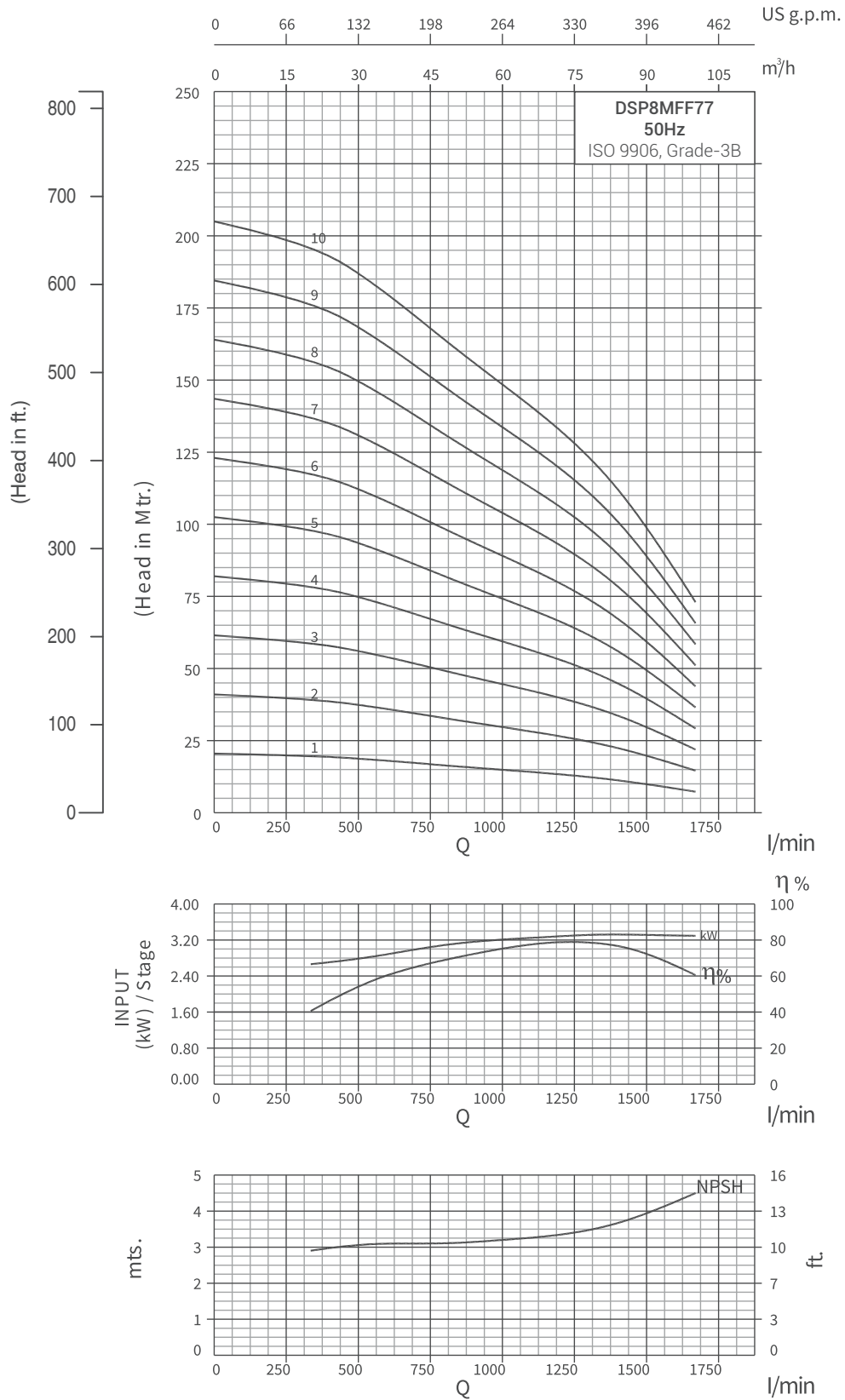
Material specification

No.	PART NAME	MATERIAL
1	DCH SLEEVE	S.S AISI 304
2	CLAMPING STRIP	S.S AISI 304
3	SPRING	S.S AISI 304
4	VALVE GUIDE RIB ASSEMBLY	S.S AISI 304
5	VALVE ASSEMBLY	S.S AISI 304
6	VALVE SEAT HOUSING	S.S AISI 304
7	FIRST STAGE BEARING BUSH	S.S AISI + NBR
8	STOP RING	S.S AISI 304
9	SPACING WASHER	25% CFT
10	FIRST STAGE NUT	S.S AISI 304
11	IMPELLER COLLET	S.S AISI 304
12	BEARING BUSH STAGE	NBR
13	COLLET NUT	S.S AISI 304
14	NECKRING	NBR + NYLON
15	IMC SLEEVE	S.S AISI 304
16	INTERMEDIATE CHAMBER	S.S AISI 304
17	IMPELLER ASSEMBLY	S.S AISI 304
18	CABLE GUARD	S.S AISI 304
19	SHAFT	S.S AISI 431
20	STRAINER	S.S AISI 304
21	NEMA COUPLING	S.S AISI 304
22	SUCTION INTERCONNECTOR	S.S AISI 304



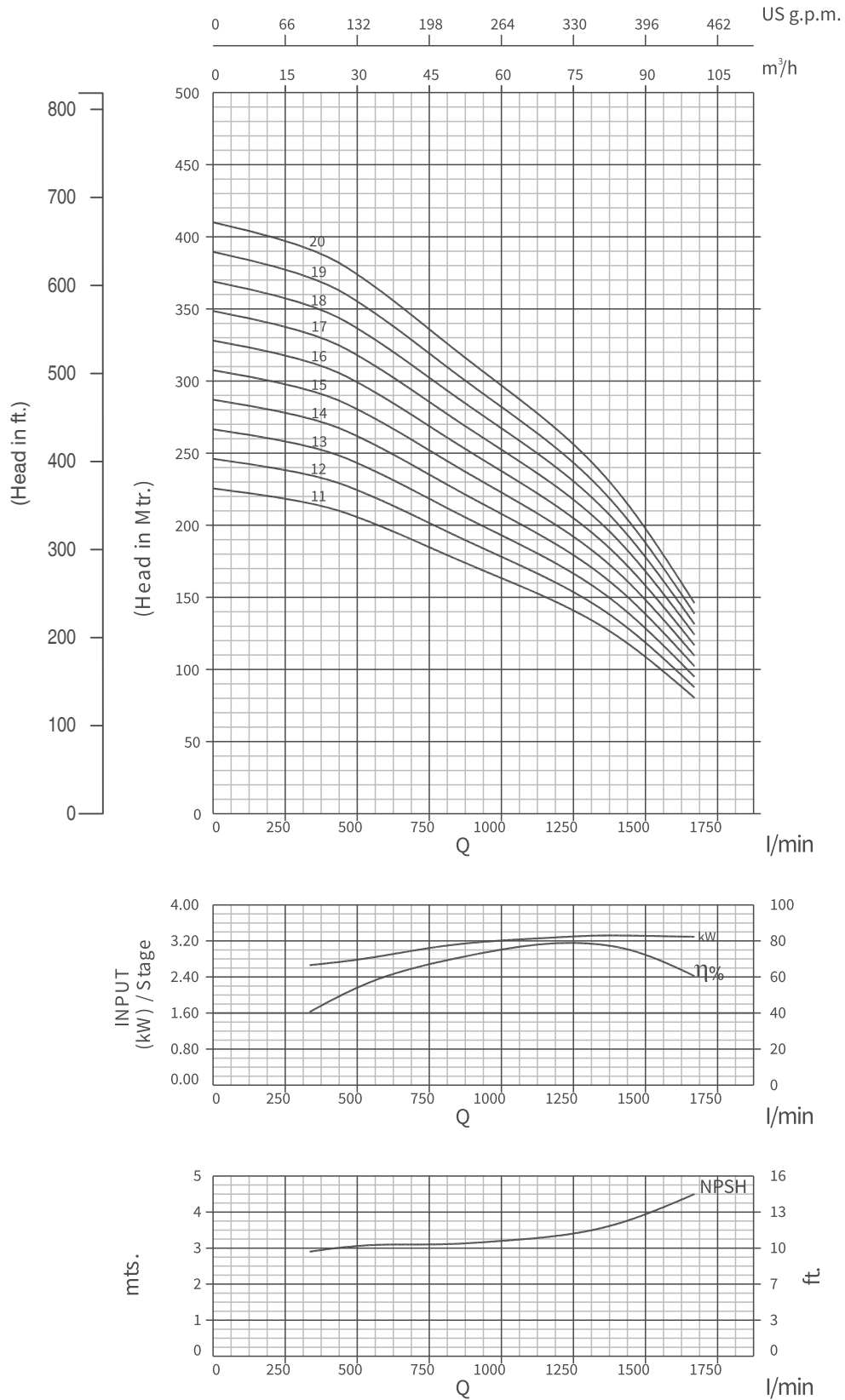
DSP8MFF77, 50Hz

ISO 9906, Grade-3B



DSP8MFF77, 50Hz

ISO 9906, Grade-3B



DSP8MFF77, 50Hz

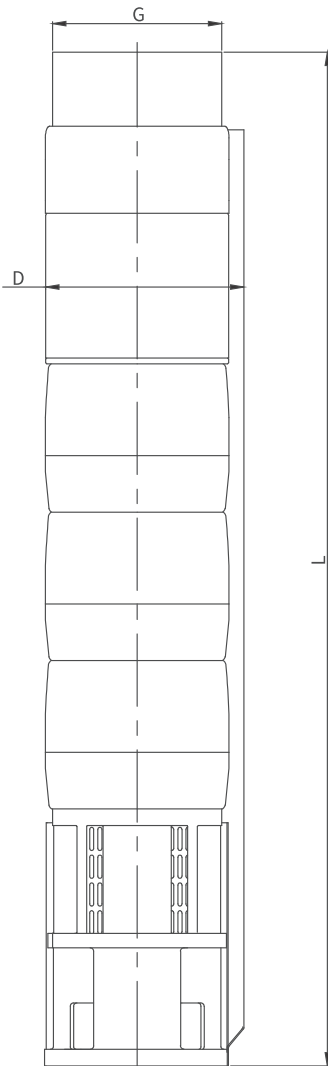
ISO 9906, Grade-3B

kW	HP	Stage	Motor Joinings	Outlet Size	Discharge						
					m ³ /h	0	48	60	72	84	96
					lpm	0	800	1000	1200	1400	1600
5.5	7.5	1	V-6	5"BSP	Head in Mtrs.	20	15	14	12	10	7
5.5	7.5	2-B	V-6	5"BSP		33	29	25	19	17	15
7.5	10	2	V-8	5"BSP		40	32	29	26	22	16
9.3	12.5	3	V-8	5"BSP		53	41	37	32	26	16
11	15	3-B	V-8	5"BSP		60	48	43	38	32	23
13	17.5	4-B	V-8	5"BSP		73	57	51	44	36	23
15	20	4	V-8	5"BSP		80	64	58	51	43	31
18.5	25	5	V-8	5"BSP		100	80	72	64	54	39
22	30	6	V-8	5"BSP		120	95	86	77	65	47
26	35	7	V-8	5"BSP		140	111	101	90	76	55
26	35	8-B	V-8	5"BSP		153	120	109	96	80	55
30	40	8	V-8	5"BSP		160	127	115	102	86	62
30	40	9	V-8	5"BSP		180	143	130	115	97	70
37	50	10	V-8	5"BSP		200	159	144	128	108	78
37	50	11	V-8	5"BSP		220	175	158	141	119	86
45	60	12	V-8	5"BSP		240	191	173	154	130	94
55	75	13	V-8	5"BSP		260	207	187	166	140	101
55	75	14	V-8	5"BSP		280	223	202	179	151	109
55	75	15	V-8	5"BSP		300	239	216	192	162	117
67	90	16	V-8	5"BSP		320	254	230	205	173	125
67	90	17	V-8	5"BSP	340	270	245	218	184	133	
67	90	18	V-8	5"BSP	360	286	259	230	194	140	
75	100	19	V-8	5"BSP	380	302	274	243	205	148	
75	100	20	V-8	5"BSP	400	318	288	256	216	156	

DSP8MFF77, 50Hz

ISO 9906, Grade-3B

Dimensions & Weights



Model Name	Specification			
	D (mm)	L (mm)	Pump Weight Kg.	Weight (incl. pkg.) Kg.
DSP8MFF77 -01	188	620	21	24
DSP8MFF77 -02	188	748	25	28
DSP8MFF77 -03	188	876	29	32
DSP8MFF77 -04	188	1004	33	36
DSP8MFF77 -05	188	1132	37	40
DSP8MFF77 -06	188	1260	41	44
DSP8MFF77 -07	188	1388	45	48
DSP8MFF77 -08	188	1516	49	52
DSP8MFF77 -09	188	1644	53	56
DSP8MFF77 -10	196	1772	55	58
DSP8MFF77 -11	196	1900	59	62
DSP8MFF77 -12	196	2028	63	66
DSP8MFF77 -13	196	2156	67	70
DSP8MFF77 -14	196	2284	71	74
DSP8MFF77 -15	196	2412	75	78
DSP8MFF77 -16	196	2540	79	82
DSP8MFF77 -17	196	2668	83	86
DSP8MFF77 -18	196	2796	87	90
DSP8MFF77 -19	196	2924	91	94
DSP8MFF77 -20	196	3052	95	98

G: Available Outlet Size BSP 5"

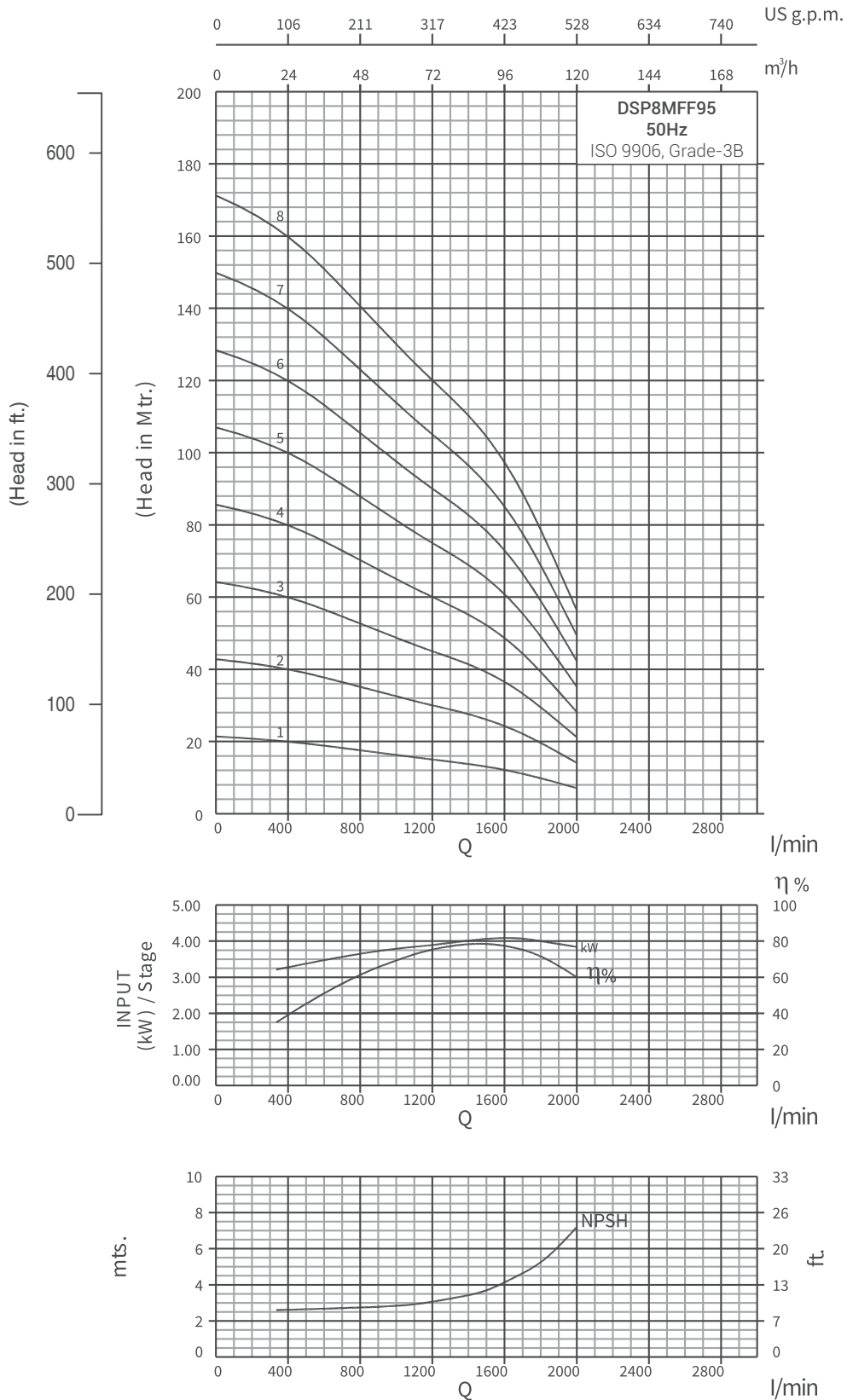
D: Maximum Diameter With Single Cable Guard

DP75 -01 to DP75 -11 pump are available in 6" joining

DP75 -12 to DP75 -20 pump are available in 8" joining

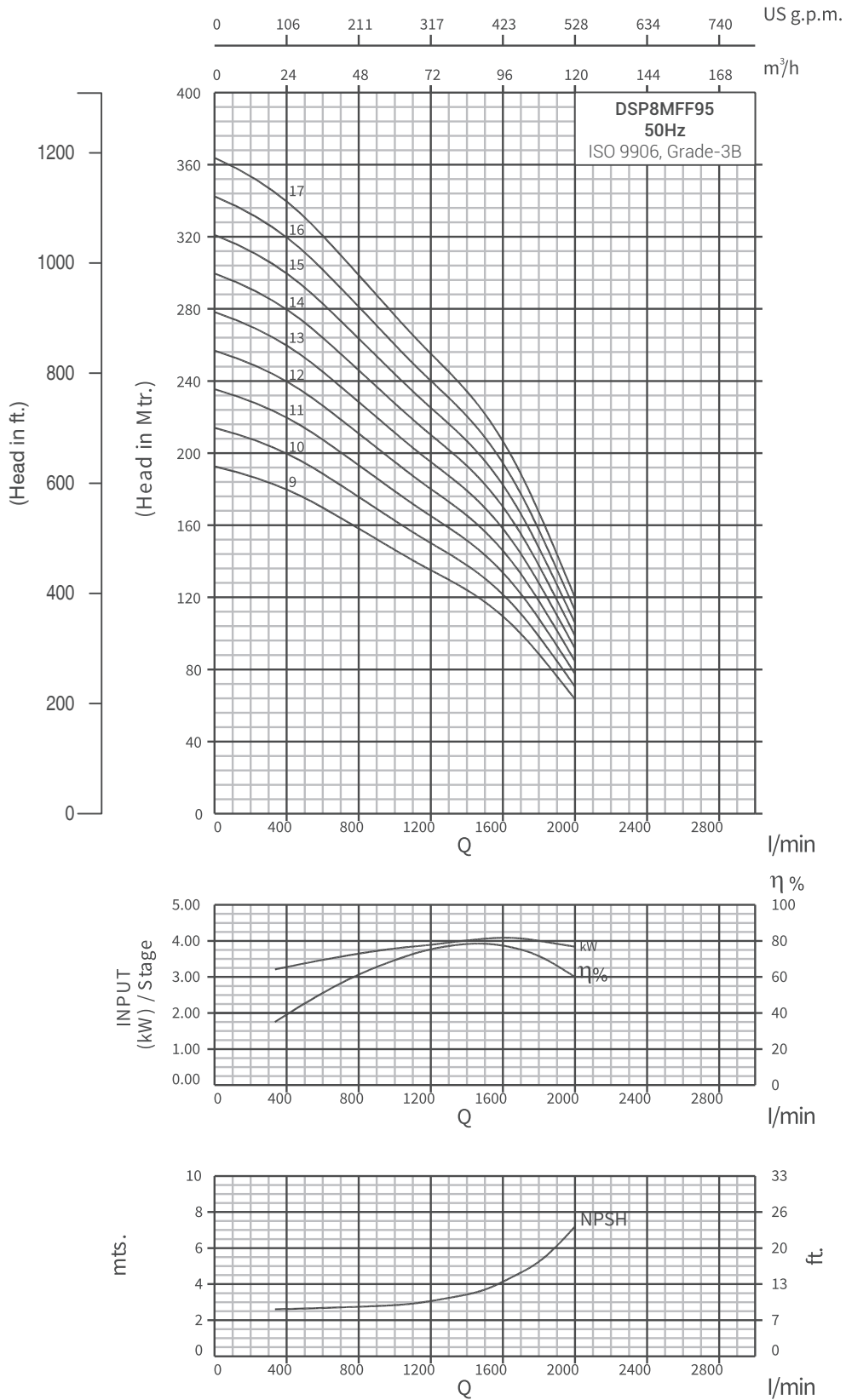
DSP8MFF95, 50Hz

ISO 9906, Grade-3B



DSP8MFF95, 50Hz

ISO 9906, Grade-3B



DSP8MFF95, 50Hz

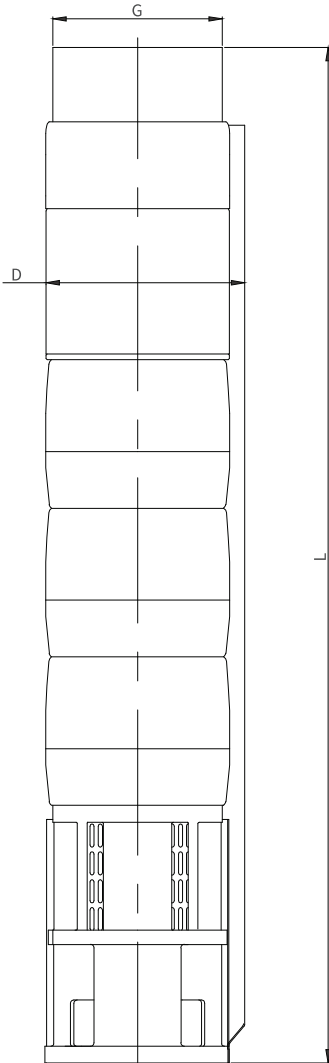
ISO 9906, Grade-3B

kW	HP	Stage	Motor Joinings	Outlet Size		Discharge						
						m ³ /h	0	48	72	96	108	120
						lpm	0	800	1200	1600	1800	2000
5.5	7.5	1	V-6	5"BSP	Head in Mtrs.	21	17	14	11	9	6	
5.5	7.5	2-BB	V-6	5"BSP		27	22	19	12	6	2	
7.5	10	2-A	V-8	5"BSP		39	29	25	20	15	9	
9.3	12.5	2	V-8	5"BSP		43	35	30	24	19	13	
9.3	12.5	3-BB	V-8	5"BSP		48	39	34	24	16	7	
11	15	3-B	V-8	5"BSP		57	46	40	30	22	13	
13	17.5	3	V-8	5"BSP		64	52	44	35	29	20	
15	20	4-B	V-8	5"BSP		78	63	54	41	32	20	
18.5	25	4	V-8	5"BSP		86	69	59	47	39	27	
18.5	25	5-AB	V-8	5"BSP		95	75	64	49	37	20	
22	30	5	V-8	5"BSP		107	87	74	59	49	34	
26	35	6	V-8	5"BSP		128	104	89	71	58	40	
30	40	7	V-8	5"BSP		150	121	104	83	68	47	
37	50	8	V-8	5"BSP		171	138	118	94	78	54	
37	50	9	V-8	5"BSP		193	156	133	106	87	60	
45	60	10	V-8	5"BSP		214	173	148	118	97	67	
55	75	11	V-8	5"BSP		235	190	163	130	107	74	
55	75	12	V-8	5"BSP		257	208	178	142	116	80	
55	75	13	V-8	5"BSP		278	225	192	153	126	87	
67	90	14	V-8	5"BSP		300	242	207	165	136	94	
75	100	15	V-8	5"BSP	321	260	222	177	146	101		
75	100	16	V-8	5"BSP	342	277	237	189	155	107		
75	100	17	V-8	5"BSP	364	294	252	201	165	114		

DSP8MFF95, 50Hz

ISO 9906, Grade-3B

Dimensions & Weights



Model Name	Specification			
	D (mm)	L (mm)	Pump Weight Kg.	Weight (incl. pkg.) Kg.
DSP8MFF95 -01	188	620	21	24
DSP8MFF95 -02	188	748	25	28
DSP8MFF95 -03	188	876	29	32
DSP8MFF95 -04	188	1004	33	36
DSP8MFF95 -05	188	1132	37	40
DSP8MFF95 -06	188	1260	41	44
DSP8MFF95 -07	188	1388	45	48
DSP8MFF95 -08	188	1516	49	52
DSP8MFF95 -09	188	1644	53	56
DSP8MFF95 -10	196	1772	55	58
DSP8MFF95 -11	196	1900	59	62
DSP8MFF95 -12	196	2028	63	66
DSP8MFF95 -13	196	2156	67	70
DSP8MFF95 -14	196	2284	71	74
DSP8MFF95 -15	196	2412	75	78
DSP8MFF95 -16	196	2540	79	82
DSP8MFF95 -17	196	2668	83	86

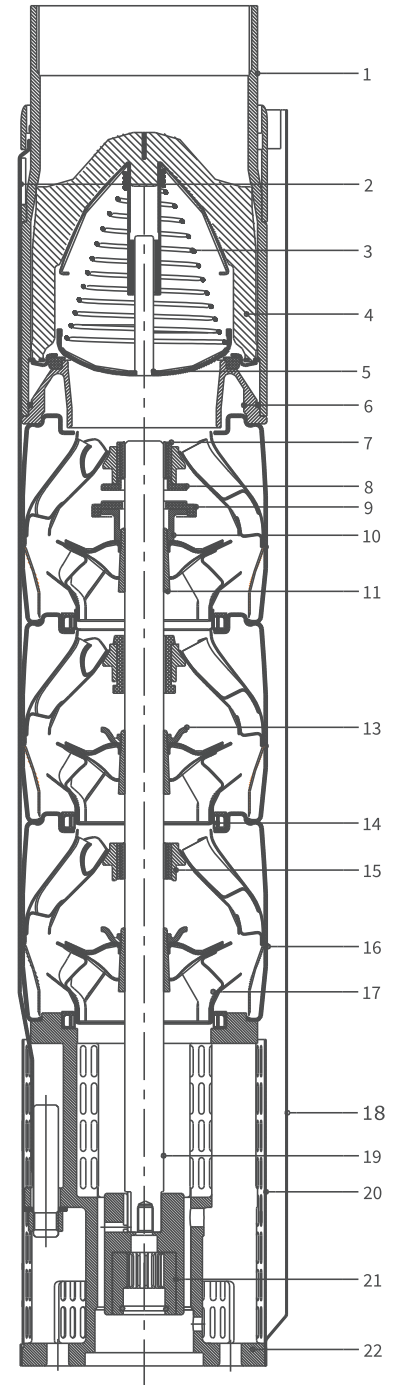
G: Available Outlet Size BSP 5"
 D: Maximum Diameter With Single Cable Guard
 D: Maximum Diameter With Double Cable Guard
 upto 50 HP 6" Motor Joining
 DP95 - 01 to DP95 - 09 pump are available in 6" joining
 DP95 - 10 to DP95 - 17 pump are available in 8" joining

10"

DSP10MFF125 SERIES PUMP DESIGN

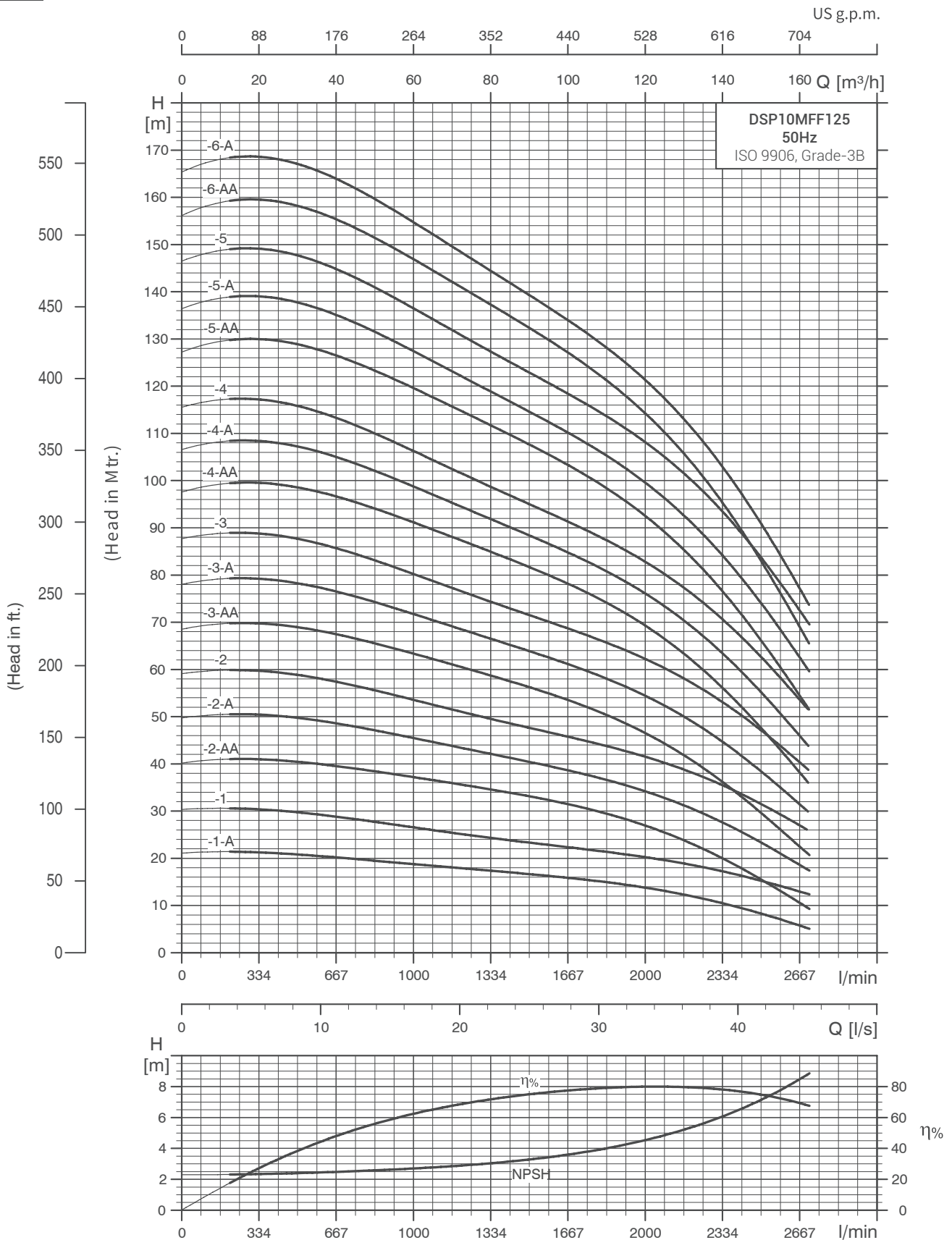
Material specification

No.	PART NAME	MATERIAL
1	DCH SLEEVE	S.S AISI 304
2	CLAMPING STRIP	S.S AISI 304
3	SPRING	S.S AISI 304
4	VALVE GUIDE RIB ASSEMBLY	S.S AISI 304
5	VALVE ASSEMBLY	S.S AISI 304
6	VALVE SEAT HOUSING	S.S AISI 304
7	FIRST STAGE BEARING BUSH	S.S AISI 304 + NBR
8	STOP RING	S.S AISI 304
9	SPACING WASHER	25% CFT
10	FIRST STAGE NUT	S.S AISI 304
11	IMPELLER COLLET	S.S AISI 304
12	BEARING BUSH STAGE	NBR
13	COLLET NUT	S.S AISI 304
14	NECKRING	NBR + NYLON
15	IMC SLEEVE	S.S AISI 304
16	INTERMEDIATE CHAMBER	S.S AISI 304
17	IMPELLER ASSEMBLY	S.S AISI 304
18	CABLE GUARD	S.S AISI 304
19	SHAFT	S.S AISI 304
20	STRAINER	S.S AISI 304
21	NEMA COUPLING	S.S AISI 304
22	SUCTION INTERCONNECTOR	S.S AISI 304



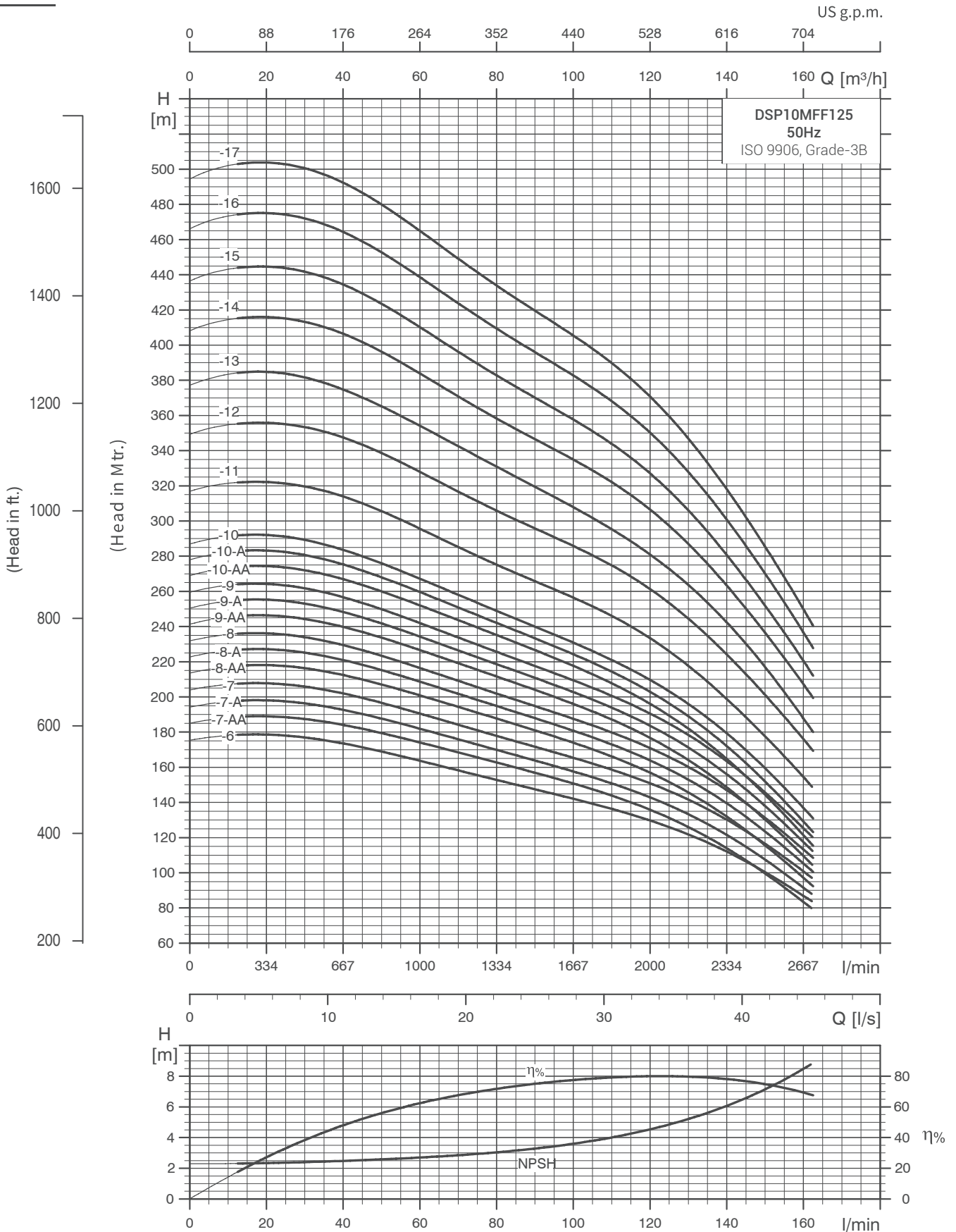
DSP10MFF125, 50Hz

ISO 9906, Grade-3B



DSP10MFF125, 50Hz

ISO 9906, Grade-3B



DSP10MFF125, 50Hz

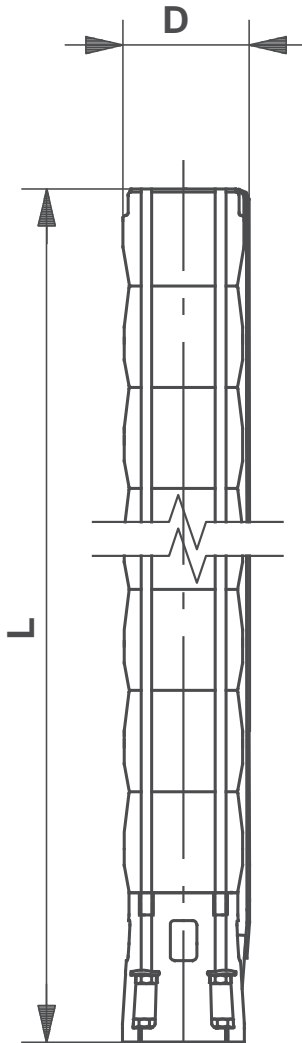
ISO 9906, Grade-3B

kW	HP	Stage	Motor Joinings	Outlet Size	Head in Mtrs.	Discharge						
						m ³ /h	0	48	96	126	144	156
						lpm	0	800	1600	2100	2400	2600
7.5	10	1-A	V-6	6"BSP	21	20	16	13	10	7		
11	15	1	V-6	6"BSP	28	27	23	20	17	14		
13	17.5	2-AA	V-6	6"BSP	44	39	32	26	19	13		
18.5	25	2-A	V-6	6"BSP	50	47	39	33	27	21		
22	30	2	V-6	6"BSP	57	55	46	40	34	29		
22	30	3-AA	V-6	6"BSP	71	67	55	46	36	28		
26	35	3-A	V-6	6"BSP	78	75	62	53	44	36		
30	40	3	V-8	6"BSP	80	83	69	60	51	44		
37	50	4-AA	V-8	6"BSP	99	94	78	66	53	42		
37	50	4-A	V-8	6"BSP	107	103	85	73	61	51		
37	50	4	V-8	6"BSP	114	111	92	80	68	59		
45	60	5-AA	V-8	6"BSP	128	122	101	86	70	57		
45	60	5-A	V-8	6"BSP	135	131	108	93	78	66		
55	75	5	V-8	6"BSP	143	139	115	100	85	74		
55	75	6-AA	V-8	6"BSP	150	150	124	106	87	72		
55	75	6-A	V-8	6"BSP	164	158	131	113	95	80		
63	90	6	V-8	6"BSP	171	160	138	120	102	88		
63	90	7-AA	V-8	6"BSP	185	178	147	126	104	87		
63	90	7-A	V-8	6"BSP	192	180	154	133	112	95		
75	100	7	V-8	6"BSP	200	194	161	140	119	103		
75	100	8-AA	V-8	6"BSP	213	205	170	146	121	101		
75	100	8-A	V-8	6"BSP	221	213	177	153	129	109		
75	100	8	V-8	6"BSP	228	222	184	160	136	118		
93	125	9-AA	V-8	6"BSP	242	233	193	166	138	116		
93	125	9-A	V-8	6"BSP	249	241	200	173	146	124		
93	125	9	V-8	6"BSP	257	249	207	180	153	132		
93	125	10-AA	V-8	6"BSP	270	261	216	186	155	131		
93	125	10-A	V-8	6"BSP	278	269	223	193	163	139		
93	125	10	V-8	6"BSP	285	277	230	200	170	147		
110	150	11	V-10	6"BSP	314	305	253	220	187	162		
130	175	12	V-10	6"BSP	342	332	276	240	204	176		
130	175	13	V-10	6"BSP	371	360	299	260	221	191		
150	200	14	V-10	6"BSP	399	388	322	280	238	206		
150	200	15	V-10	6"BSP	428	416	345	300	255	221		
185	250	16	V-10	6"BSP	456	443	368	320	272	235		
185	250	17	V-10	6"BSP	485	471	391	340	289	250		

DSP10MFF125, 50Hz

ISO 9906, Grade-3B

Dimensions & weights

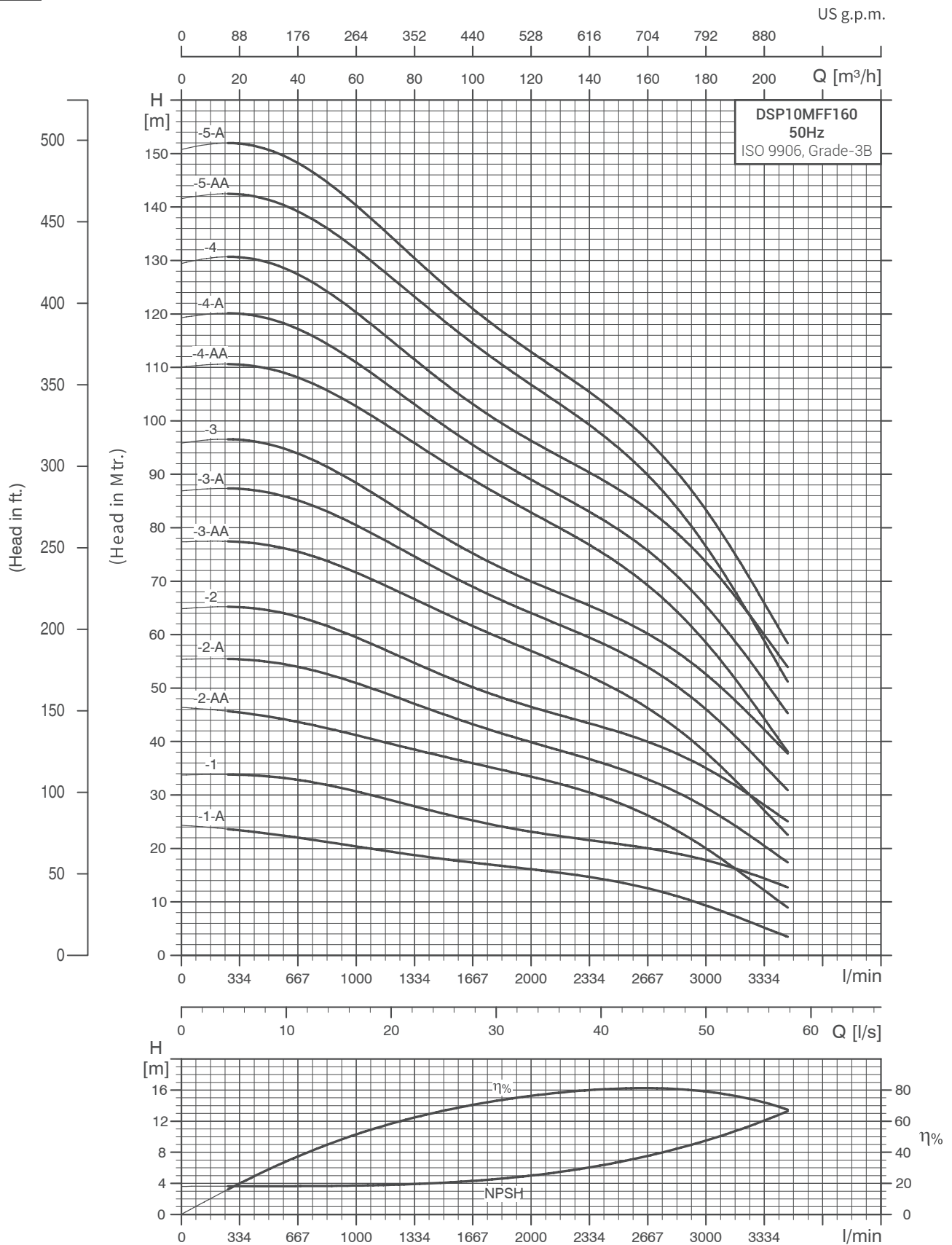


Model Name	Specification			
	D (mm)	L (mm)	Pump Weight Kg.	Weight (incl. pkg.) Kg.
DSP10MFF125-1-A	211	651	70	74
DSP10MFF125-1	211	651	79	83
DSP10MFF125-2-AA	211	807	88	92
DSP10MFF125-2-A	211	807	97	101
DSP10MFF125-2	211	807	103	107
DSP10MFF125-3-AA	211	963	109	113
DSP10MFF125-3-A	211	963	115	119
DSP10MFF125-3	211	963	123	127
DSP10MFF125-4-AA	211	1119	176	180
DSP10MFF 125-4-A	211	1119	176	180
DSP10MFF125-4	213	1119	176	180
DSP10MFF125-5-AA	213	1275	236	240
DSP10MFF125-5-A	213	1275	236	240
DSP10MFF125-5	213	1275	251	255
DSP10MFF125-6-AA	213	1431	257	261
DSP10MFF125-6-A	213	1431	257	261
DSP10MFF125-6	218	1431	283	287
DSP10MFF125-7-AA	218	1587	289	293
DSP10MFF125-7-A	218	1587	289	293
DSP10MFF125-7	218	1587	308	312
DSP10MFF125-8-AA	218	1743	314	318
DSP10MFF125-8-A	218	1743	314	318
DSP10MFF125-8	218	1743	314	318
DSP10MFF125-9-AA	218	1899	366	370
DSP10MFF125-9-A	218	1899	366	370
DSP10MFF125-9	218	1899	366	370
DSP10MFF125-10-AA	218	2055	372	376
DSP10MFF125-10-A	218	2055	372	376
DSP10MFF125-10	218	2055	372	376
DSP10MFF125-11	218	2507	438	442
DSP10MFF125-12	237	2714	556	560
DSP10MFF125-13	237	2870	562	566
DSP10MFF125-14	237	3025	633	637
DSP10MFF125-15	237	3181	639	643
DSP10MFF125-16	237	3336	685	689
DSP10MFF125-17	237	3492	691	695

D: Maximum Diameter With Single Cable Guard

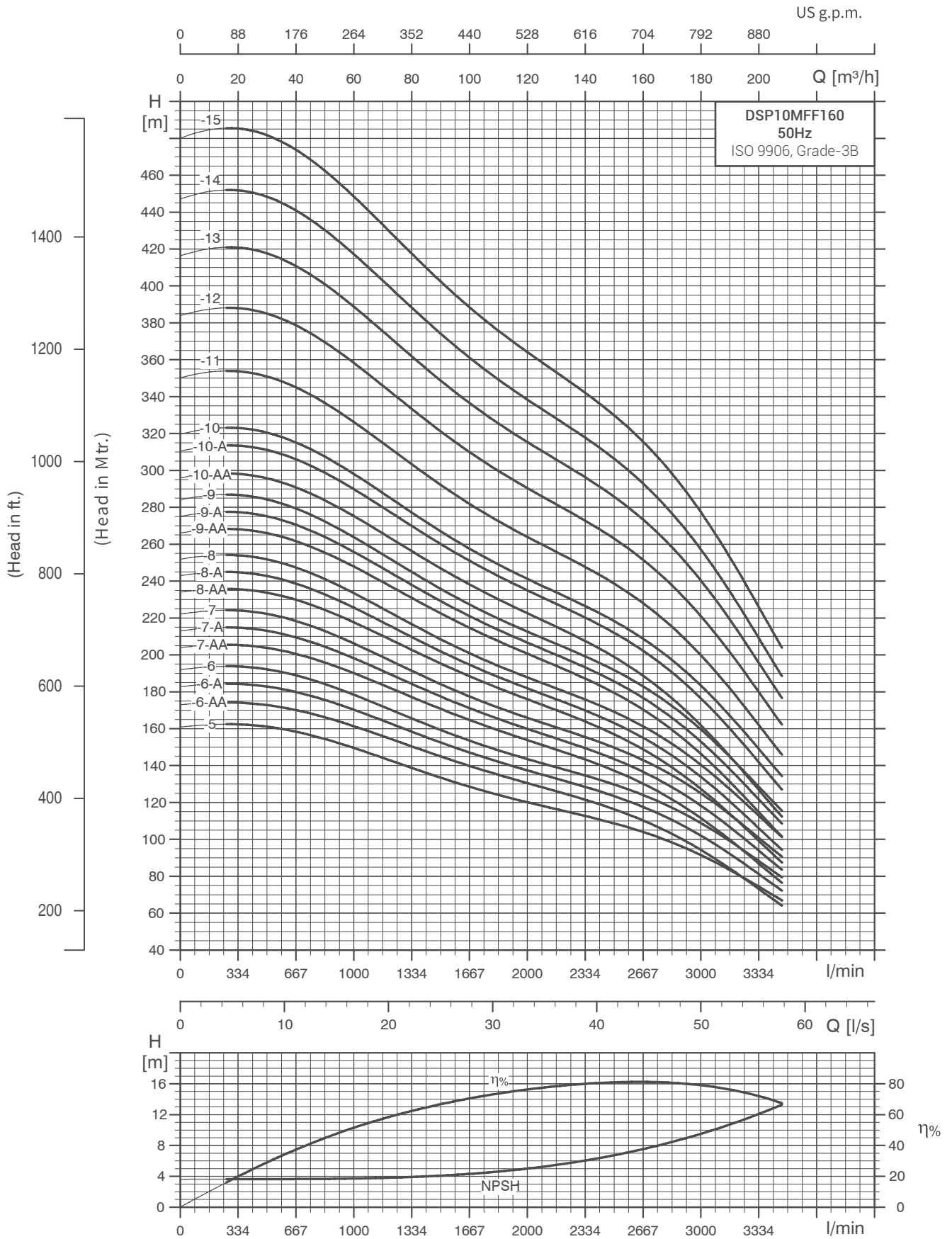
DSP10MFF160, 50Hz

ISO 9906, Grade-3B



DSP10MFF160, 50Hz

ISO 9906, Grade-3B



DSP10MFF160, 50Hz

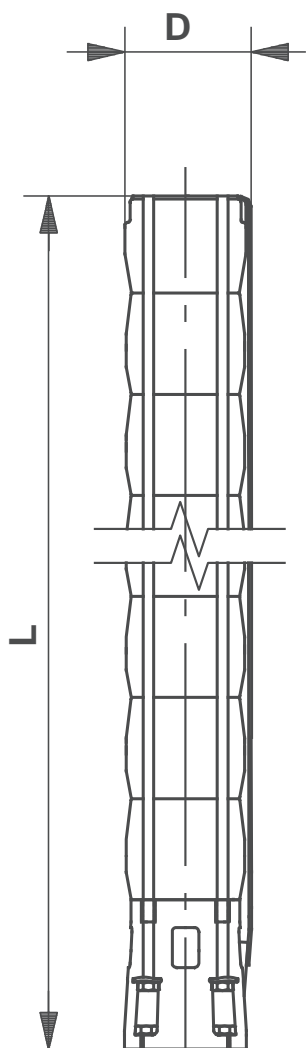
ISO 9906, Grade-3B

kW	HP	Stage	Motor Joinings	Outlet Size		Discharge						
						m ³ /h	0	60	90	120	162	180
						lpm	0	1000	1500	2000	2700	3000
9.3	12.5	1-A	V-6	6"BSP	Head in Mtrs.	24	20	18	16	12	9	
13	17.5	1	V-6	6"BSP		32	29	26	23	20	17	
18.5	25	2-AA	V-6	6"BSP		48	41	36	32	24	19	
22	30	2-A	V-6	6"BSP		56	50	44	39	32	27	
26	35	2	V-6	6"BSP		64	59	52	47	40	35	
30	40	3-AA	V-8	6"BSP		80	71	62	55	44	37	
37	50	3-A	V-8	6"BSP		88	80	70	63	52	45	
37	50	3	V-8	6"BSP		96	89	79	70	60	53	
45	60	4-AA	V-8	6"BSP		112	100	88	79	64	54	
45	60	4-A	V-8	6"BSP		120	109	97	86	72	62	
55	75	4	V-8	6"BSP		128	118	105	93	80	70	
55	75	5-AA	V-8	6"BSP		144	130	115	102	84	72	
55	75	5-A	V-8	6"BSP		152	139	123	109	92	80	
63	90	5	V-8	6"BSP		160	148	131	117	100	88	
63	90	6-AA	V-8	6"BSP		176	159	141	125	104	89	
75	100	6-A	V-8	6"BSP		184	168	149	133	112	97	
75	100	6	V-8	6"BSP		192	177	157	140	120	105	
75	100	7-AA	V-8	6"BSP		208	189	167	149	124	107	
93	125	7-A	V-8	6"BSP		216	198	175	156	132	115	
93	125	7	V-8	6"BSP		224	207	183	163	140	123	
93	125	8-AA	V-8	6"BSP		240	218	193	172	144	124	
93	125	8-A	V-8	6"BSP		248	227	201	179	152	132	
93	125	8	V-8	6"BSP		256	236	210	186	160	140	
110	150	9-AA	V-10	6"BSP		272	248	219	195	164	142	
110	150	9-A	V-10	6"BSP		280	257	228	202	172	152	
110	150	9	V-10	6"BSP		288	266	236	210	180	158	
110	150	10-AA	V-10	6"BSP		304	277	246	218	184	160	
130	175	10-A	V-10	6"BSP		312	287	254	226	192	168	
130	175	10	V-10	6"BSP		320	295	262	233	200	175	
130	175	11	V-10	6"BSP		352	324.5	288	256	220	193	
150	200	12	V-10	6"BSP	384	354	314	280	240	210		
185	250	13	V-10	6"BSP	416	383.5	341	303	260	228		
185	250	14	V-10	6"BSP	448	413	367	326	280	245		
185	250	15	V-10	6"BSP	480	442.5	393	350	300	263		

DSP10MFF160, 50Hz

ISO 9906, Grade-3B

Dimensions & weights



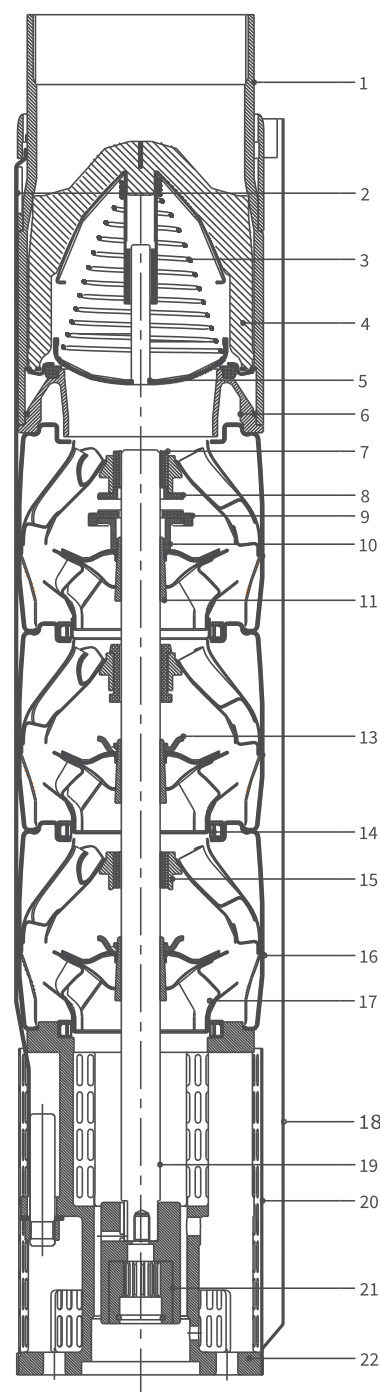
Model Name	Specification			
	D (mm)	L (mm)	Pump Weight Kg.	Weight (incl. pkg.) Kg.
DSP10MFF160-1-A	211	651	76	80
DSP10MFF160-1	211	651	82	86
DSP10MFF160-2-AA	211	807	97	101
DSP10MFF160-2-A	211	807	103	107
DSP10MFF160-2	211	807	109	113
DSP10MFF160-3-AA	211	963	123	127
DSP10MFF160-3-A	211	963	170	174
DSP10MFF160-3	211	963	170	174
DSP10MFF160-4-AA	218	1119	230	234
DSP10MFF160-4-A	218	1119	230	234
DSP10MFF160-4	218	1119	245	249
DSP10MFF160-5-AA	218	1275	251	255
DSP10MFF160-5-A	218	1275	251	255
DSP10MFF160-5	218	1275	277	281
DSP10MFF160-6-AA	218	1431	283	287
DSP10MFF160-6-A	218	1431	302	306
DSP10MFF160-6	218	1431	302	306
DSP10MFF160-7-AA	218	1587	302	306
DSP10MFF160-7-A	218	1587	354	358
DSP10MFF160-7	218	1587	354	358
DSP10MFF160-8-AA	218	1743	360	364
DSP10MFF160-8-A	218	1743	360	364
DSP10MFF160-8	218	1743	360	364
DSP10MFF160-9-AA	218	1899	416	420
DSP10MFF160-9-A	218	1899	416	420
DSP10MFF160-9	218	1899	416	420
DSP10MFF160-10-AA	218	2351	432	436
DSP10MFF160-10-A	237	2403	544	548
DSP10MFF160-10	237	2403	544	548
DSP10MFF160-11	237	2559	550	554
DSP10MFF160-12	237	2714	621	625
DSP10MFF160-13	237	2870	667	671
DSP10MFF160-14	237	3025	673	677
DSP10MFF160-15	237	3259	803	807

10"

DSP10MFF215 SERIES PUMP DESIGN

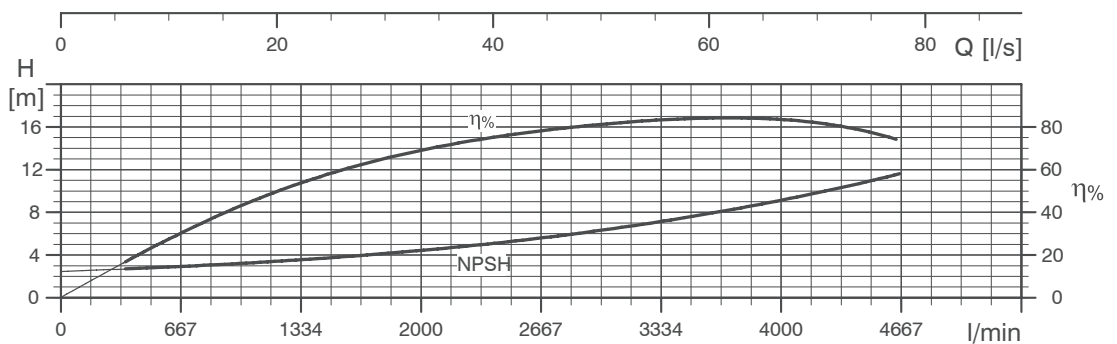
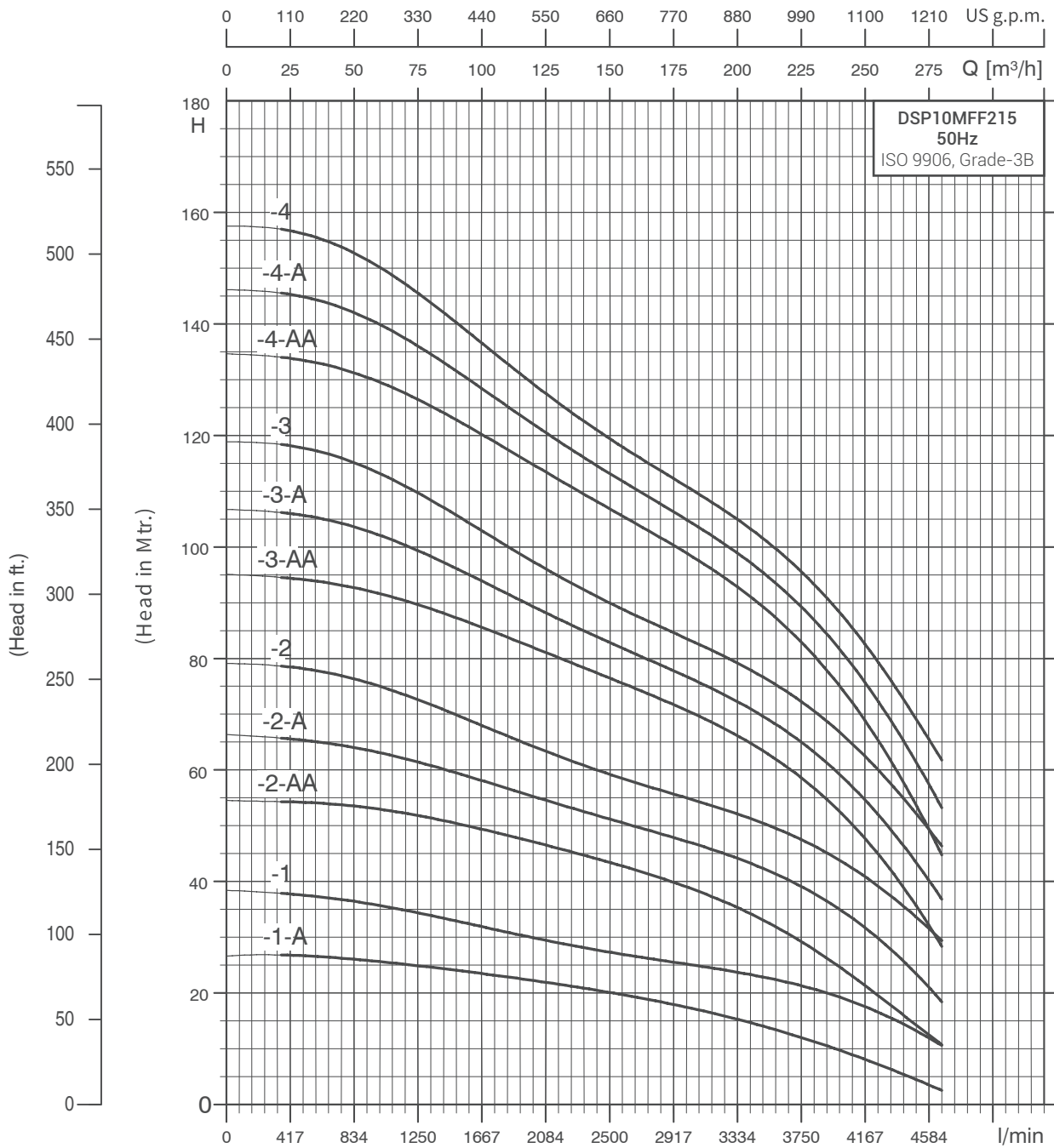
Material specification

No.	PART NAME	MATERIAL
1	DCH SLEEVE	S.S AISI 304
2	CLAMPING STRIP	S.S AISI 304
3	SPRING	S.S AISI 304
4	VALVE GUIDE RIB ASSEMBLY	S.S AISI 304
5	VALVE ASSEMBLY	S.S AISI 304
6	VALVE SEAT HOUSING	S.S AISI 304
7	FIRST STAGE BEARING BUSH	S.S AISI 304 + NBR
8	STOP RING	S.S AISI 304
9	SPACING WASHER	25% CFT
10	FIRST STAGE NUT	S.S AISI 304
11	IMPELLER COLLET	S.S AISI 304
12	BEARING BUSH STAGE	NBR
13	COLLET NUT	S.S AISI 304
14	NECKRING	NBR + NYLON
15	IMC SLEEVE	S.S AISI 304
16	INTERMEDIATE CHAMBER	S.S AISI 304
17	IMPELLER ASSEMBLY	S.S AISI 304
18	CABLE GUARD	S.S AISI 304
19	SHAFT	S.S AISI 304
20	STRAINER	S.S AISI 304
21	NEMA COUPLING	S.S AISI 304
22	SUCTION INTERCONNECTOR	S.S AISI 304



DSP10MFF215, 50Hz

ISO 9906, Grade-3B



DSP10MFF215, 50Hz

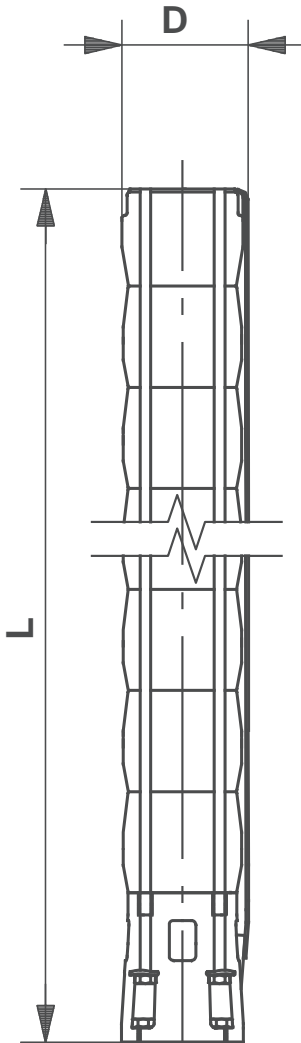
ISO 9906, Grade-3B

kW	HP	Stage	Motor Joinings	Outlet Size	Discharge							
					m ³ /h	0	90	144	180	216	240	276
					lpm	0	1500	2400	3000	3600	4000	4600
15	20	1-A	V-8	6" BSP	Head in Mtrs.	27	24	20	17	13	10	3.5
18.5	25	1	V-8	6" BSP		39	35	30	27	24	22	16
26	35	2-AA	V-8	6" BSP		52	46	39	33	25	18	5
30	40	2-A	V-8	6" BSP		63	56	47	43	35	29	16
45	60	2	V-8	6" BSP		75	68	57	52	46	41	29
55	75	3-AA	V-8	6" BSP		79	70	59	50	40	29	9
55	75	3-A	V-8	6" BSP		114	103	87	79	70	63	45
63	85	3	V-8	6" BSP		117	107	90	82.5	73.5	66	48
75	100	4-AA	V-8	6" BSP		132	119	101	90	76	64	39
75	100	4-A	V-8	6" BSP		144	130	110	100	87	76	39
75	100	4	V-8	6" BSP		156	142	120	110	98	88	64

DSP10MFF215, 50Hz

ISO 9906, Grade-3B

Dimensions & weights

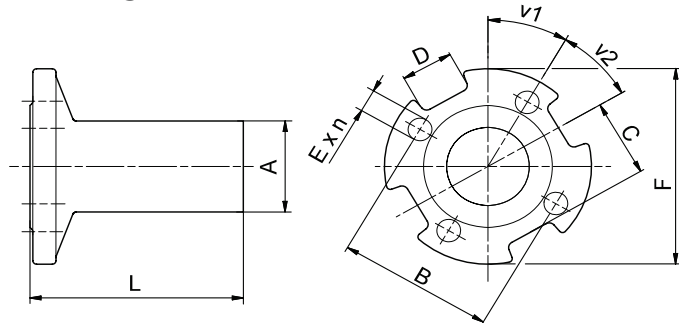


Model Name	Specification			
	D (mm)	L (mm)	Pump Weight Kg.	Weight (incl. pkg.) Kg.
DSP10MFF215-1-A	241	790	92	96
DSP10MFF215-1	241	790	97	101
DSP10MFF215-2-AA	241	966	127	131
DSP10MFF215-2-A	241	966	174	178
DSP10MFF 215-2	241	966	228	232
DSP10MFF215-3-AA	241	1142	253	257
DSP10MFF 215-3-A	241	1142	253	257
DSP10MFF215-3	241	1142	279	283
DSP10MFF 215-4-AA	241	1318	308	312
DSP10MFF 215-4-A	241	1318	308	312
DSP10MFF 215-4	241	1318	308	312

Connecting pieces

The tables below show the range of connecting pieces for connection of thread-to-flange and thread-to-thread.

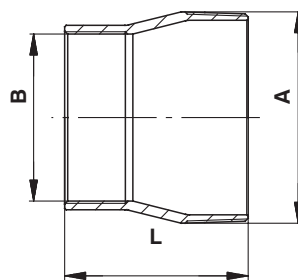
Thread-to-flange



Dimensional sketch and photo of the connecting piece thread-to-tread

Type	Pump outlet	Connecting piece	A	Dimensions (mm)						V1	V2	n
				B	C	D	E	F	L			
DP 17	Rp 2½	R 2½ → DN 50 PN 16/40	R 2½	125	65	40	ø19	ø165	170	60	90	4
		R 2½ → DN 65 PN 16/40	R 2½	145	71	30	ø19	ø185	170	22.5	45	8
		R 2½ → DN 80 PN 16/40	R 2½	160	82.5	40	ø19	ø200	170	22.5	45	8
DP 30	Rp 3	R 3 → DN 65 PN 16/40	R 3	145	71	30	ø19	ø185	170	22.5	45	8
		R 3 → DN 80 PN 16/40	R 3	160	82.5	40	ø19	ø200	170	22.5	45	8
		R 3 → DN 100 PN 16/40	R 3	180/190	100	40	ø19/ø23	ø235	170	22.5	45	8
DP 46	Rp 3	R 3 → DN 65 PN 16	R 3	145	71	30	ø19	ø185	170	22.5	45	8
		R 3 → DN 80 PN 16	R 3	160	82.5	40	ø19	ø200	170	22.5	45	8
DP 60	Rp 4	R 3 → DN 100 PN 16	R 3	180/190	100	40	ø19/ø23	ø235	170	22.5	45	8
		R 4 → DN 100 PN 16	R 4	180/190	100	40	ø19/ø23	ø235	180	22.5	45	8
DP 77	Rp 5	R 5 → DN 100 PN 16/40	R 5	180/190	82	35	ø19/ø23	ø235	195	22.5	45	8
		R 5 → DN 125 PN 16/40	R 5	210/220	99	37	ø19/ø28	ø270	195	22.5	45	8
		R 5 → DN 150 PN 16/40	R 5	240/250	115	36	ø23/ø28	ø300	195	22.5	45	8
DP 125	Rp 6	R 6 → DN 125 PN 16/40	R 6	210/220	99	36	ø19/ø28	ø270	195	22.5	45	8
		R 6 → DN 150 PN 16/40	R 6	240	114	36	ø23/ø28	ø300	195	22.5	45	8
		R 6 → DN 200 PN 16	R 6	295	134	36	ø23	ø340	195	15	30	12
		R 6 → DN 200 PN 40	R 6	320	151	36	ø31	ø375	200	15	30	12

Thread-to-flange



Dimensional sketch and photo of the connecting piece thread-to-tread

Type	Pump outlet	Connecting piece	Dimensions (mm)		L (mm)
			A	B	
DP 77	Rp 5	R 5 → Rp 4	R 5	Rp 4	121
		R 5 → Rp 6	R 5	Rp 6	150
DP 95	NPT 5	NPT 5 → NPT 4	NPT 5	NPT 4	121
		NPT 5 → NPT 6	NPT 5	NPT 6	150
DP 125	Rp 6	Rp 6 → Rp 5	R 6	Rp 5	150
		NPT 6 → NPT 5	NPT 6	NPT 5	150

Our Achievements



National Quality Award -2010 by Hon. President of India Smt. Pratibha Patil



Entrepreneurship Award-2010 by Hon. Chief Minister of Gujarat Shri Narendra Modi



Best MSME Awards 2012-13



National Quality Award - 2006



Rajasthan Energy Conservation Award - 2012



National Entrepreneurship Award - 2009



EMPOWER Award - 2009



Super SME Award - 2016



National Lean Manufacturing System Award - 2016



MSME Award - 2010



Best MSME Award 2013 - 14

Our Awards & Certificate





Duke Plasto Technique Private Limited

Palanpur-385510 (N. Gujarat) India

www.dukepumps.com